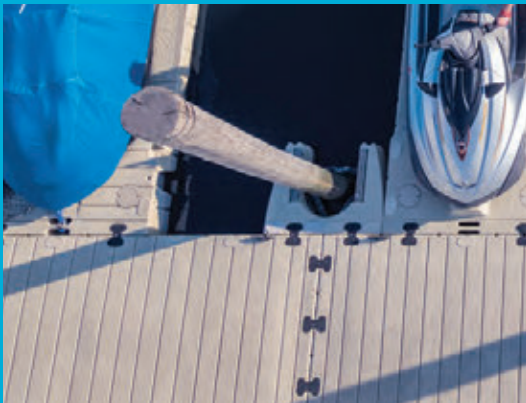




# INSTALLATION INSTRUCTIONS

## Owner's Manual and Installation Instructions for Dock Sections, Anchoring, and Accessories



For questions about features, operation/performance, parts, accessories or service, call your local dealer or your nearest EZ Dock distributor at

Please visit our website for additional information regarding EZ Dock products and services at [www.ez-dock.com](http://www.ez-dock.com)

EZ Dock, Inc | 878 HWY 60, Monett, MO 65708

417-235-2223 | 800-654-8168

© 2023 EZ Dock, Inc. All rights reserved.



Proudly American made for 30 years.

Please read this manual before attempting the installation of your EZ Dock product. It contains information which you, as owner of this equipment, are responsible for understanding and using. This reference contains installation instructions, as well as, vital safety, warning and maintenance information to help guarantee many years of enjoyable use of EZ Dock products.

<b>⚠ DANGER</b>	
	<p><b>Drowning Hazard</b></p> <p>Swimming under and/or attempting to breathe in cavities under EZ Dock docks and ports while performing in-water installation of docks, ports and couplers can result in accidental drowning and death.</p> <p>Do not attempt in-water installation without EZ Dock in-water coupler installation tools.</p>

<b>⚠ WARNING</b>	<b>⚠ AVERTISSEMENT</b>	<b>⚠ ADVERTENCIA</b>
<p>SUFFOCATION HAZARD NOT FOR USE BY CHILDREN. KEEP CHILDREN OUT OF CONTAINER. NEVER LEAVE CHILDREN UNATTENDED. ALWAYS KEEP LID CLOSED AND LOCKED WHEN NOT IN USE.</p>	<p>DANGER DE SUFFOCATION. NON CONÇU POUR LES ENFANTS. TENIR LES ENFANTS HORS DU COMPARTIMENT DE RANGEMENT. NE JAMAIS LAISSER LES ENFANTS SANS SURVEILLANCE. TOUJOURS GARDER LE COUVERCLE FERMÉ ET VERROUILLÉ QUAND IL N'EST PAS UTILISÉ.</p>	<p>PELIGRO DE ASFIXIA NO DEBE SER USADO POR NIÑOS. EVITE QUE LOS NIÑOS SE ACERQUEN AL CONTENEDOR. NUNCA DEJE A LOS NIÑOS SIN SUPERVISIÓN. MANTENGA SIEMPRE LA TAPA CERRADA Y ASEGURADA CUANDO NO ESTÉ EN USO.</p>

**Note:** It is the dock owner/operator's responsibility to ascertain and comply with all applicable Federal, State, and local laws, ordinances and regulations, as well as all inspection, permitting and licensing requirements pertaining to the installation, application and use of EZ Dock products on the owner/operator's premises. EZ Dock, Inc. assumes no duty or responsibility with respect to the legality or compliancy of the owner/operator's chosen installation, application or use of EZ Dock products.

**IMPORTANT! Assembly, Installation, Maintenance and Safety:**

You should read these instructions thoroughly before assembling and installing your EZ Dock. Please adhere to all recommendations and cautionary suggestions appearing in this manual and always follow the instructions precisely. Please save these instructions and refer to them as needed for future reference.

Sites with severe wave conditions need to arrange docks so pylons are parallel to wave action and vents are facing against a dock face or toward the shore to minimize excess water collecting in docks. Proper arrangement is shown on Page 7.

**Note:** All empty or un-used coupler pockets should be filled with an EZ Dock pocket filler (201030). See page 45 for more information.



## Table of Contents

General Information and Installation Overview .....	4
EZ Dock Specifications .....	5
1 Model/Serial Number .....	6
2 Site Preparation .....	6
3 Dock Section Orientation .....	7
4 Selection Your Anchoring .....	9
Pipe Anchoring .....	10
Piling Anchoring .....	17
Deadweight Anchoring .....	21
Stiff-Arm Anchoring .....	27
5 Gangways .....	30
Float Hinge Kit .....	31
Abutment Hinge Kit .....	31
Transition Plate .....	31
Gangway Roller Kit & Roller .....	31
Aluminum Gangway .....	32
Polyethylene Gangway .....	32
Wooden Gangplank Mounting Kit .....	33
Polyethylene Plank Mounting Kit .....	33
6 Accessories .....	37
Corner Gusset .....	37
Utility Channel .....	38
Corner Storage Box .....	39
Large Storage Box .....	40
Center Mount Bench .....	41
Swim Ladder .....	42
Bench .....	44
Fish Cleaning Station .....	45
8" Nylon Tie-Up Cleat .....	46
12" Galvanized Tie-Up Cleat .....	46
Bumper .....	47
Dock Edging .....	47
Security Curbing .....	48
Poly Post Kit .....	49
Handrails .....	50
Floating Dock to EZ Dock Adapter .....	51
Low Profile to Standard Dock Adapter .....	51
7 Warranty/Customer Service .....	52
8 Maintaining Your EZ Dock .....	53

Dear EZ Dock Owner,

The EZ Dock team thanks you for your purchase. We know that you had other choices of docks, and we appreciate your decision to purchase EZ Dock.

You will find it easy to maintain your EZ Dock products and to add accessories and other components to your dock in the future. EZ Dock is the most durable dock on the market, and your friends and family will enjoy your dock for many years to come.

Before you install your new EZ Dock, please take a moment to register your dock warranty. You can register online at [www.ez-dock.com](http://www.ez-dock.com) or by using the warranty registration card provided by your distributor/dealer. By registering your product, you will activate your product warranty and thereby protect your purchase against covered product defects. Please feel free to give your EZ Dock customer service department a call with any issues that you may have with your EZ Dock. You can reach our customer service department by dialing:

USA/Canada: 1-800-654-8168  
Int'l: 1-417-235-2223  
Europe: +46 (0) 380 47 300

## GENERAL INFORMATION AND INSTALLATION OVERVIEW

### GENERAL INFORMATION

The EZ Dock system is a uniquely simple, low-maintenance design that's versatile, safe and durable. EZ Dock's one-piece, self-floating design is fast and easy to install. Sections come in several sizes with evenly spaced coupler, hardware and anchor pockets.

Once assembled, this system is designed to minimize the amount of flex occurring from stress and loads on the system. The rubber connections will stretch to help the system, and its attachments, absorb shock and extreme pressures. Properly installed and maintained, this system will last for years of enjoyable use.

### **IMPORTANT! Assembly, Installation, Maintenance and Safety:**

**You should read these instructions thoroughly, before assembling and installing your EZ Dock. Please adhere to all recommendations and cautionary suggestions appearing in this manual and always follow the instructions precisely. Please save these instructions and refer to them as needed for future reference.**

Note: It is the dock owner/operator's responsibility to ascertain and comply with all applicable Federal, State, and local laws, ordinances and regulations, as well as all inspection, permitting and licensing requirements pertaining to the installation, application and use of EZ Dock products on the owner/operator's premises. EZ Dock, Inc. assumes no duty or responsibility with respect to the legality or compliancy of the owner/operator's chosen installation, application or use of EZ Dock products.

### ASSEMBLY OVERVIEW

**Become familiar with the installation instructions before beginning**

- **Although most assembly instructions depict a 40" wide dock section in this manual, the same assembly methods are used for all EZ Dock sections.**
- **The layout should be planned before beginning to assemble the dock.**
- **Make sure the correct tools are available.**
- **The system may be assembled on the ground or on open water. To make assembly easier, attach pairs of dock sections together before placing in the water.**
- **Since each 40" dock weighs 190 lbs., each 60" weighs 285 lbs., and each 80" weighs 375 lbs., it is not recommended that more than two floats be connected to one another before being moved into the water.**
- **Verify that all dock sections and hardware are on site and ready for installation.**

### Recommendations:

**Attach as much hardware to dock sections as possible before placing the sections in the water.**

**Whenever possible, connections should be made at the shoreline, and the dock should be pushed out into the water as it is assembled.**

### Tools and Requirements:

As with most assembly and installation projects, some tools are required to assemble and install your EZ Dock. You may not need every tool listed below for your particular installation, but the following tools are generally helpful in the installation process (for professional installation, call your local EZ Dock dealer):

- EZ Dock in-water installation tool (9000010)
- 1/2" drive ratchet and socket set
- Open-end and boxed-end wrench set
- Screwdrivers (Phillips and standard)
- Adjustable wrenches
- Hammer, level, utility knife and pliers
- Pipe wrench (if using augers)
- Pry-bar (small and large)
- Rope (at least 3/8" braided nylon)
- Power drill and bits
- Power or hand saw
- One bar of ordinary hand soap
- 3/16" Allen wrench



## EZ Dock Specifications

### 204010 (A)

#### 40" X 10' Dock Section

Length: 10' (3.1 m)  
 Width: 40" (1 m)  
 Height: 15" (38 cm)  
 Weight: 180 lbs. (82 kg)  
 Floatation Capacity: 2,000 lbs. (907.2 kg)

### 204060 (B)

#### 40" X 60" Dock Section

Length: 60" (1.4 m)  
 Width: 40" (1 m)  
 Height: 15" (38 cm)  
 Weight: 95 lbs. (43 kg)  
 Floatation Capacity: 1,000 lbs. (453.6 kg)

### 206010 (C)

#### 60" X 10' Dock Section

Length: 10' (3.1 m)  
 Width: 60" (1.5 m)  
 Height: 15" (38 cm)  
 Weight: 270 lbs. (123 kg)  
 Floatation Capacity: 3,000 lbs. (1,360.8 kg)

### 260120 (D)

#### Half Hex Dock Section

Length: 10' (3.1 m)  
 Width: 60" (1.5 m)  
 Height: 15" (38 cm)  
 Weight: 210 lbs. (95 kg)  
 Floatation Capacity: 2,000 lbs. (907.2 kg)

### 208010 (E)

#### 80" X 10' Dock Section

Length: 10' (3.1 m)  
 Width: 80" (2 m)  
 Height: 15" (38 cm)  
 Weight: 365 lbs. (166 kg)  
 Floatation Capacity: 4,000 lbs. (1,814.4 kg)

### 300501 (F)

#### Corner Gusset

Length: 46-5/8" (1.17 m)  
 Width: 33-1/2" (.84 m)  
 Height: 6" (15 cm)  
 Weight: 22 lbs. (10 kg)  
 Floatation Capacity: N/A

### 208008 (G)

#### 80" X 100" Dock Section

Length: 80" (2 m)  
 Width: 100" (2.5 m)  
 Height: 15" (38 cm)  
 Weight: 310 lbs. (141 kg)  
 Floatation Capacity: 3,200 lbs. (1,451.5 kg)

### 158010 (H)

#### 80" X 10' Dock Section

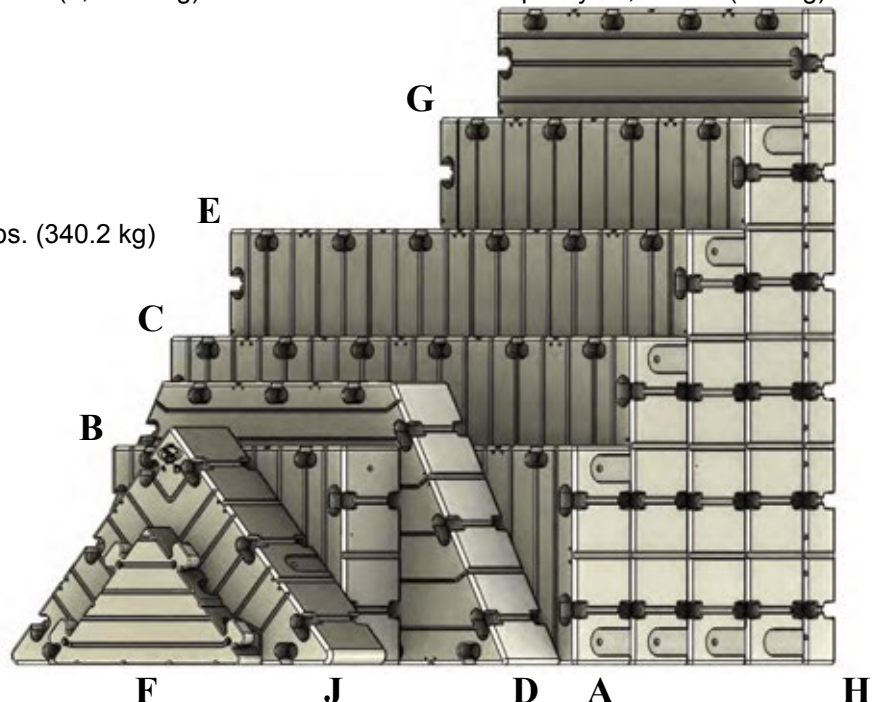
Length: 10' (3.1 m)  
 Width: 80" (2 m)  
 Height: 8" (20 cm)  
 Weight: 260 lbs. (118 kg)  
 Floatation Capacity: 1,900lbs (862 kg)

### 300503 (J)

#### Tri-Dock

Length: 83" (2.1 m)  
 Width: 59-5/8" (1.5 m)  
 Height: 15" (38 cm)  
 Weight: 80lbs. (36 kg)  
 Floatation Capacity: 750 lbs. (340.2 kg)

Because of the rotational molding process, weights and dimensions may vary.



## Model/Serial Number

You should register your EZ Dock product to ensure proper warranty coverage. The location of the serial number may be difficult or impossible to see once installed, so we suggest that you create a record of your serial numbers and corresponding dock sections to insure proper identification when filing a warranty claim. The serial numbers can be found on the vertical side wall on the logo end of the dock sections. See photo below.



## Site Preparation

**Note: It is the dock owner/operator's responsibility to ascertain and comply with all applicable Federal, State and local laws, ordinances and regulations, as well as all inspection, permitting and licensing requirements pertaining to the installation, application and use of EZ Dock products on the owner/operator's premises. EZ Dock, Inc. assumes no duty or responsibility with respect to the legality or compliancy of the owner/operator's chosen installation, application or use of EZ Dock products.**

Each EZ Dock installation is site specific and needs to be configured specifically for the end user's intended application. Some factors to take into consideration when determining the components necessary for a proper installation include intended usage, water conditions, soil and bed conditions, and climatic conditions. Listed below are simple rules to follow.

Be certain that your installation configuration is designed to accommodate the daily intended use of your EZ Dock. Please take into account the following:

- Commercial application needs
- Public access requirements (ADA, CORP or other)
- Private docking needs
- Scale of operation and use (size of boats, number of PWCs, number of people, etc.)
- Other special considerations affecting your daily use

Be aware of the unique characteristics of the specific body of water and consider how such conditions will affect the installation. Take into account:

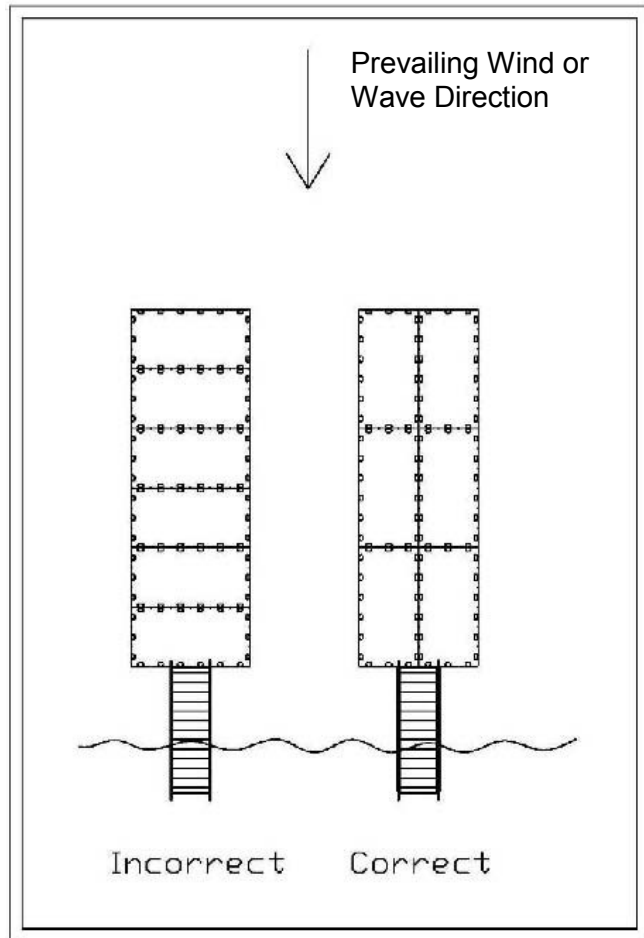
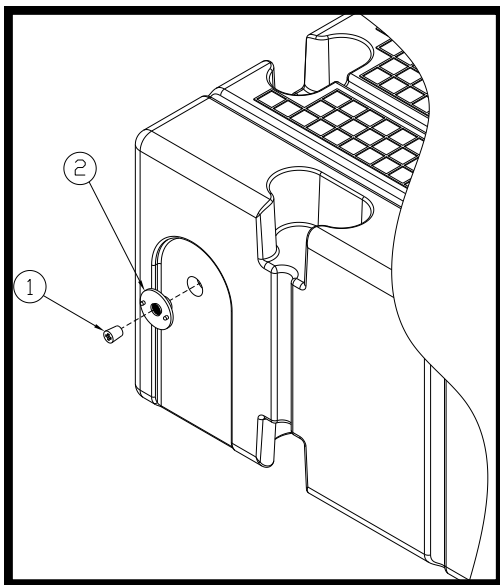
- Overall area of the body of water
- Water depth (at the shore and at the furthest point of the dock from shore)
- Normal and greatest wave action
- Water level fluctuation
- Fresh, brackish or salt-water
- Normal and extraordinary ice thickness and movement
- Lake bed and soil conditions (sand, rock, mud etc.)
- Determine whether your installation will be attended to and inspected on a regular basis.
- Become acquainted with the normal movement associated with floating structures.
- Determine whether you are capable of performing your own installation or whether it is best to hire a professional by contacting your local EZ Dock dealer.

**Sites with severe wave conditions need to arrange docks so pylons are parallel to wave action and vents are facing against a dock face or towards the shore to minimize excess water collecting in docks.**

Once you have considered and worked out the issues above, the next step is to select the anchoring method that is best for you. Since no two installations are ever exactly the same, each and every EZ Dock installation must be designed and configured for the specific and intended application.

### Dock Placement in Relationship to Shore

After the prevailing wind and wave directions have been established it will be necessary to design the dock system so that the dock length is parallel to such direction. This will allow the EZ Dock patented couplers to flex properly. Refer to the diagram to the right for further details.

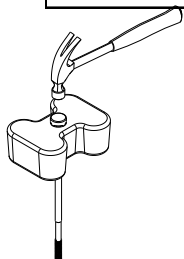


Every EZ Dock section has at least one hydrophobic venting insert. These are typically located on the same end that the bar code graphic is (see Page 6). These vents are designed to reduce any amounts of water that may enter the dock but still allow the dock section to breathe with temperature variation. When possible these vents should be positioned toward shore and away from prevailing wind/current direction.

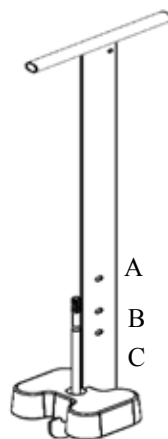
ITEM	QTY.	PART NO.	DESCRIPTION
1	1	9000028	HYDROPHOBIC VENT 1/4" NPT
2	1	103565	SPINWELD 1.9"-1/4" FPT FLUSH EZD

## Coupler Installation (301100, 315100)

**Helpful Hint: To make assembly and disassembling easier, rub a bar of hand soap on the coupler rods to lubricate them.**



1. Insert the composite coupler bolt into coupler.
2. Align the mark on the head of the bolt so the splines line up into the notched pockets in the coupler.
3. Using a hammer, seat the bolt into the coupler.
4. Install coupler onto the in-water installation tool as shown at right.
5. Align dock sections so coupler pockets are adjacent to each other, and using the in-water installation tool, insert the coupler and bolt assembly into the bottom pocket with the bolt pointing upward.

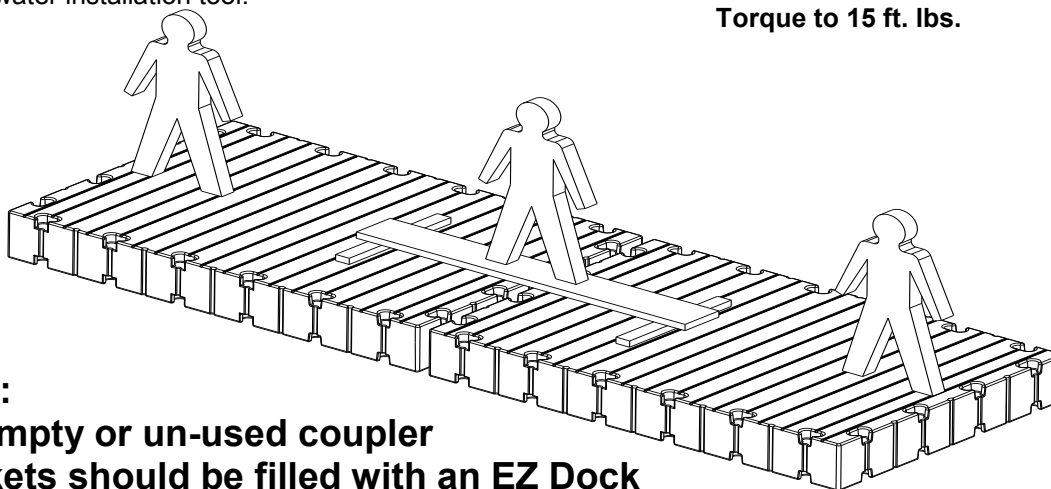


Indicator Hole A: Standard EZ Dock  
 Indicator Hole B: Port Max  
 Indicator Hole C: Low Pro EZ Dock

6. Pull up on the in-water installation tool to seat the bottom coupler. (NOTE: The dock sections must be sitting level on the water and at the same elevation for the coupler to properly seat into the bottom pocket. Sometimes it is helpful to ballast the opposing ends of dock sections to keep the adjoining ends from dipping. This can be done by having someone stand on the opposite ends of each dock section, or by standing on an elevated beam or board (as shown) placed perpendicular to the dock section to span the seam being connected. When coupling seams together, it is recommended to start at the center of the seam and work to the edges.

7. See Page 8 for more information to install couplers using the in-water installation tool.

**DO NOT OVER TIGHTEN THE NUT!  
 Torque to 15 ft. lbs.**



**Note:**  
**All empty or un-used coupler pockets should be filled with an EZ Dock pocket filler (201030). See page 45 for more information.**

### DANGER



#### Drowning Hazard

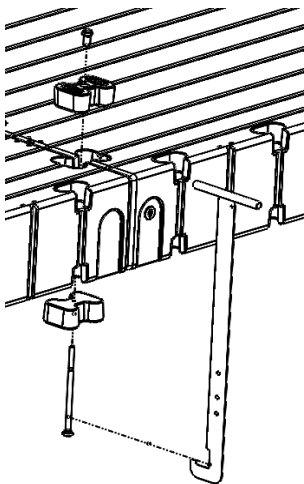
Swimming under and/or attempting to breathe in cavities under EZ Dock docks and ports while performing in-water installation of docks, ports and couplers can result in accidental drowning and death.

Do not attempt in-water installation without EZ Dock in-water coupler installation tools.

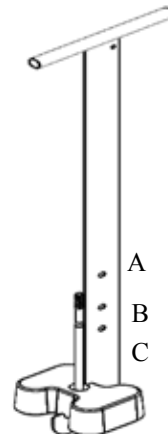


## In-Water Coupler Installation Tool (9000010)

1. Align and abut the adjoining ends of the dock sections .
2. Insert the bottom coupler and bolt assembly into installation tool and firmly pull up to seat coupler.
3. Hold the top handle and lower the tool with coupler into the water until the rod is completely below the bottom surface of the dock section. (If the rod hits the dock section the coupler may fall off the tool).
4. While maintaining the proper depth, slide the tool between the dock sections until you reach the pocket to be connected.



5. Lift the tool upward while aligning the rod to come up between the opening through the pockets. The tool has a 1/2" indicator hole on the long flat part of the handle that may be seen above the deck area and will indicate that the bottom coupler is properly in position. Insert a rod or screwdriver into this hole to hold the tool and coupler in place while connecting top coupler.



Indicator Hole A: Standard EZ Dock  
 Indicator Hole B: Port Max  
 Indicator Hole C: Low Pro EZ Dock

6. Place top coupler into position, thread on coupler nut, and draw the connections together tightly.
7. To release the installation tool, remove pin from hole and push down tool, sliding it between the docks and beginning your next coupler installation.

For help contact your dealer or distributor at 800-654-8168.

## Anchoring

Once you have selected your site and assembled the dock, the next step is to select the anchoring method best suited for your location. Since no two installations are ever exactly the same, each and every EZ Dock installation must be designed and configured for your specific application. Your local dealer can help you select the anchoring system that is right for your location. EZ Dock offers a wide variety of anchoring components which are simple to install and safe to use. Constructed of either polyethylene, galvanized steel or stainless steel (all of which are long lasting, durable materials that can range from standard to heavy duty) EZ Dock provides a wide range of reliable options to construct a dock for nearly any use and waterscape.

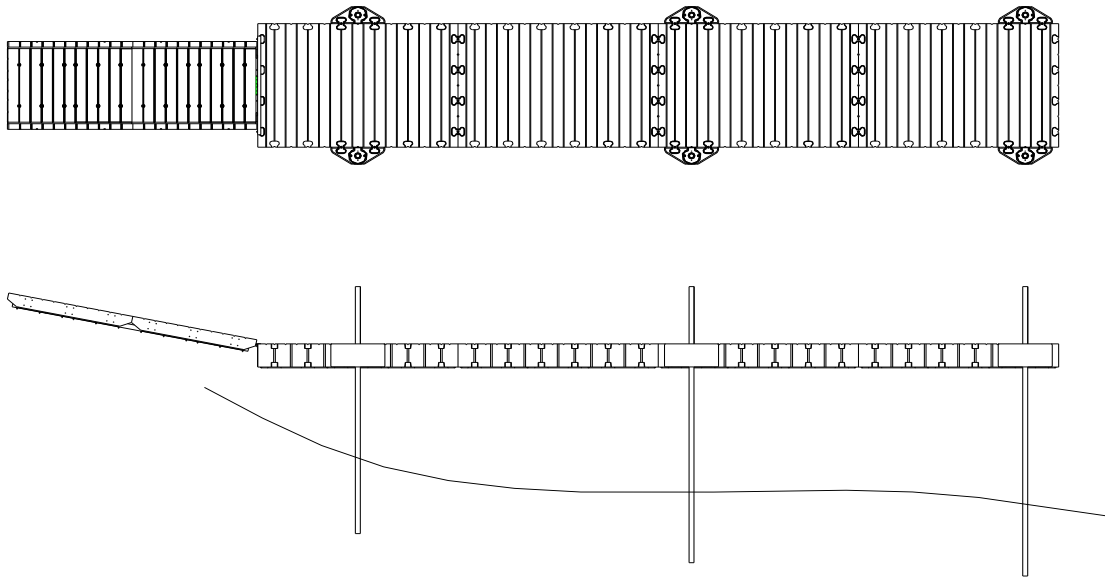
### Selecting your Anchoring Method

EZ Dock provides a wide range of anchoring components to accommodate most water conditions and bottoms (deep, shallow, rough or sandy). EZ Dock anchoring methods are simple to install and safe to use. Our anchoring products are made from long-lasting, durable materials that can accommodate from standard to heavy-duty demands.

- Pipe anchoring is typically used in most private and some light duty commercial applications.
- The deadweight method of anchoring is used with deeper water or rocky bottoms.
- Piling anchoring is very similar to pipe anchoring in that the pilings are used to prevent the lateral movement of the dock. This method of anchoring is used in heavy duty commercial applications.
- Stiff-arm anchoring is a method of supporting the dock system by attachment to the shore or some other type of rigid structure by poles or arms.

## Pipe Anchoring

Pipe anchoring is our most popular type of anchoring using a small diameter pipe to provide the horizontal support necessary to keep the docks in place. The use of pipe will allow the docks to move up and down with most water fluctuations, and with little maintenance. This method of anchoring utilizes either a heavy-duty or a standard-duty pipe bracket that is typically used in most private and some light duty commercial installations. The size and number of pipe needed will be determined by conditions encountered.



Pipe is normally embedded or screwed into the soil bed until full resistance or to a minimum of 1/3 the water depth. Wave action should not exceed three feet, and water depths should not exceed 12 feet for the 250 series bracket or 18 feet for the 350 series bracket.

- Pipes can be used to secure an EZ Port. When pipes are used they must be sufficiently embedded or screwed into the lake, river or ocean bed to a depth of at least three feet. The pipes are to remain vertical and hold the EZ Port in the desired location.
- It is recommended to use pipe augers, except in rocky or shale bottoms, to make installation easier. Augers allow the pipe to be turned into the lake, river or ocean bed like a cork screw using a pipe wrench or by drilling the hole for the pipe and using a T-handle.
- Pipe diameter: Pipe brackets are available for two pipe sizes: 2-1/2" and 3-1/2". A 2" bracket is designed to use pipe that measures 2-1/2" in outside diameter, and a 3" bracket is designed to use pipe that measures 3-1/2". The installation process is the same for either pipe size.
- In salt water or brackish water conditions it is recommended that the steel pipe be sleeved with PVC pipe. The steel pipe will need to fit inside the 2-1/2" or 3-1/2" pvc/pipe. This will help prevent abrasion and wear on the pipe bracket, prevent rust and improve appearance.

Determine the length and size of pipe needed and bracket locations.

## Pipe Brackets

EZ Dock pipe brackets are available in standard-duty or heavy-duty models. Each type of bracket is capable of using the recommended pipe based on your need:

- For 250 series brackets- 2-3/8" OD 10 gauge SCH 40 galvanized pipe (referenced as 2" pipe)
- For 350 series brackets- 3-1/2" OD 8 gauge SCH 40 galvanized pipe (referenced as 3" pipe)

Generally pipe brackets are used in pairs and spaced approximately 40' apart, but can vary depending on site condition and/or customers usage expectations

### Standard-Duty Pipe Bracket (130251, 135250, 135350, 138250, 138350)

The standard-duty bracket is designed for residential use or to anchor EZ Port PWC lifts. For these pipe brackets to be used, wave height should not exceed 2 feet and water depths should be no greater than 8 feet for 2" pipe or 12 feet for 3" pipe. The standard-duty bracket is simple to install, connecting to a single set of pockets that may be placed anywhere around the perimeter of the dock. It is always best to locate at least one bracket near the shore end of the dock. The other brackets may be placed along the sides or at the ends of the dock.

A one piece bracket is also available for the standard dock sections and the low profile sections. This bracket uses the standard coupler connections, and carries the same wave action specifications that the two piece brackets have.

### Heavy-Duty Pipe Bracket (210250, 210350, 215250, 215350)

The heavy-duty pipe bracket is designed for residential and light commercial applications which must allow docks to adjust to changing water levels. For these pipe brackets to be used, wave height should not exceed 3 feet, and water depths should be no greater than 12 feet for 2" pipe or 18 feet for 3" pipe. It is always best to locate at least one bracket near the shore end of the dock. The remaining brackets may be placed along the sides or at the end of the dock. You never want to span a seam restricting the movement of the dock. Two sets of pockets are required to connect the bracket to the dock. The brackets are also available with a replaceable sleeve.



(135250 shown)



(210350 shown)

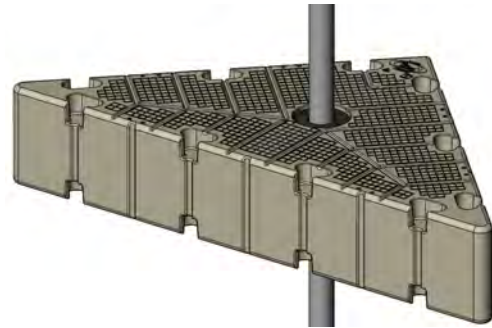


(215250 shown)

### 300503 Corner Gusset with Optional Wear Guide (S20617 and S20618)

The 300503 can also be used as a 2" or 3" pipe bracket with the optional wear sleeves bolted in place. The same guidelines should be taken while installing these as a pipe bracket.

**The center hole of the corner gusset should be fitted at all times with either the supplied S20616 cap or an EZ Dock anchoring method. THE CENTER HOLE OF THE CORNER GUSSET SHALL AT NO TIMES BE LEFT OPEN.**



300503 with optional Wear Sleeve

### Pipe Auger (100255 or 100355)

The auger is attached to the bottom of the pipe to allow easier installation of pipe anchoring in lake, river, or ocean bottoms. The auger works well in sandy or muddy bottoms.

### Anchoring Pipe Specifications

- For 250 series brackets- 2-3/8" OD 10 gauge SCH 40 galvanized pipe (referenced as 2-1/2" OD)
- For 350 series brackets- 3-1/2" OD 8 gauge SCH 40 galvanized pipe (referenced as 3-1/2" OD)

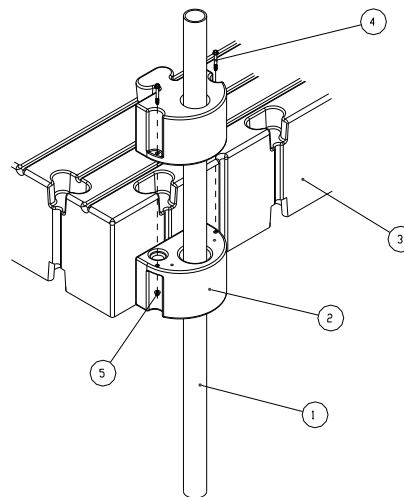


## Standard-Duty Pipe Bracket Installation (130250, 130250, and 130251)

### Tools Required:

Ratchet  
1/2" socket  
1/2" wrench

1. Slide the polyethylene bracket halves over the top of the pipe as shown. The two halves of the bracket are identical.
2. Align the pipe next to the dock where it is to be attached. The pipe should be placed so that it is centered with a pocket.
3. Install the bottom half of the bracket by inserting the molded-on coupler into the bottom pocket of the dock or lift.
4. Attach the top half of the bracket by inserting the molded-on coupler into the top pocket of the dock or lift.
5. Secure the two halves together using the supplied 5/16" bolts and nuts.
6. Plumb the anchoring pipe with a level, then turn or drive the pipe into the soil until it is completely secure.



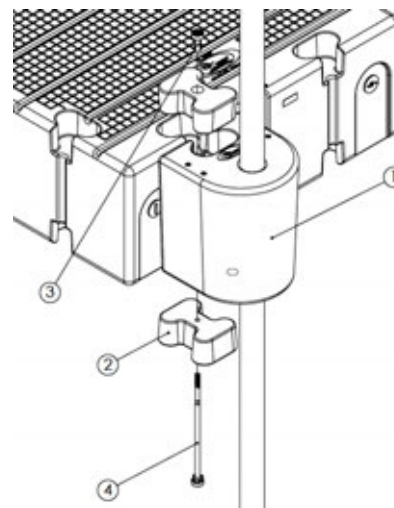
ITEM	QTY.	PART NO.	DESCRIPTION
1	1	N/A	ANCHORAGE PIPE
2	2	10014/10013	SD PIPE BRACKET HALF
3	N/A	N/A	DOCK OR PORT SECTION
4, 5	1	S13025	PARTS CARTON

## Standard-Duty Pipe Bracket 1-piece Installation (135250, 135350, 138250, 138350)

### Tools Required:

Ratchet  
15/16" socket  
Coupler drive socket  
In-water installation tool  
Hammer

1. Slide the polyethylene pipe bracket over the top of the pipe to be installed.
2. Install the top and bottom couplers as described on Page 8.
3. Align the pipe next to the dock where it will be attached. The pipe should be placed so that it is centered with a pocket.
4. Install pipe as referenced on Page 10.



ITEM	QTY.	PART NO.	DESCRIPTION
1	1	10113/10114 10117/10118	PIPE BRACKET
2	2	311010/	COUPLER
3	1	22003	COUPLER NUT
4	1	211003 211004	COUPLER BOLT

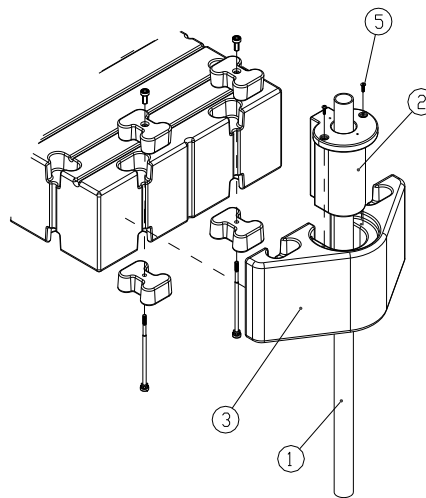


## Heavy-Duty Pipe Bracket Installation (210250 and 210350)

### Tools Required:

Ratchet  
15/16" socket  
Coupler drive socket  
Hammer  
#4 Phillips Screwdriver

1. Slide the insert over the top of the pipe to be installed.
2. Align the pipe next to the dock where it will be attached. It should be placed so that the sleeve is centered between two pockets. Auger or drive the pipe into the bottom until it will stand by itself. The pipe will still need to be adjusted for proper positioning and fully driven in Step 6.
3. Slide the sleeve inserts up the pipe far enough so that the main frame can be brought around the pipe and into position against the dock.
4. Attach the polyethylene main frame to the dock using a standard coupler set. Refer to coupler installation instructions.
5. Slide the insert sleeve down the pipe and into the polyethylene main frame, adjusting pipe location if necessary. Secure the insert sleeve with the two 5/16" (80514SS) bolts.
6. Finish driving or screwing the pipe into the bottom so that it is solidly in place. The minimum depth of the pipe is three feet.



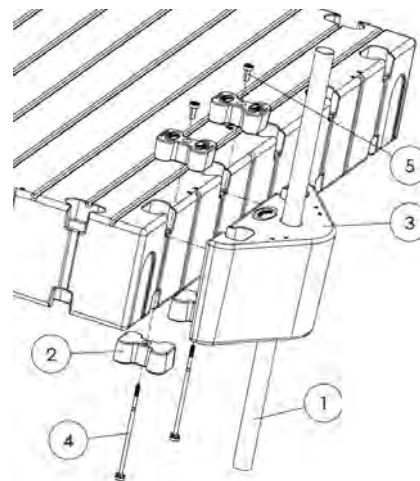
ITEM	QTY.	PART NO.	DESCRIPTION
1	1	N/A	ANCHORAGE PIPE
2	1	10004	POLYETHYLENE PIPE INSERT
3	1	10015	POLYETHYLENE MAIN FRAME
5	2	80514SS	BOLT 5/16" SS

## Heavy-Duty Pipe Bracket Installation, Non-insert (215250 and 215350)

### Tools Required:

Ratchet  
15/16" socket  
Coupler drive socket  
In-water installation tool  
Hammer

1. Slide the polyethylene pipe bracket over the top of the pipe to be installed.
2. Install the top and bottom couplers as described on Page 8.
3. Align the pipe next to the dock where it will be attached. The pipe should be placed so that it is centered with a pocket.
4. Install pipe as referenced on Page 9.



ITEM	QTY.	PART NO.	DESCRIPTION
1	1	N/A	ANCHORAGE PIPE
2	4	311010	COUPLER
3	1	10015/10016	POLYETHYLENE MAIN FRAME
4	2	21103	COUPLER BOLT
5	2	22003	COUPLER NUT

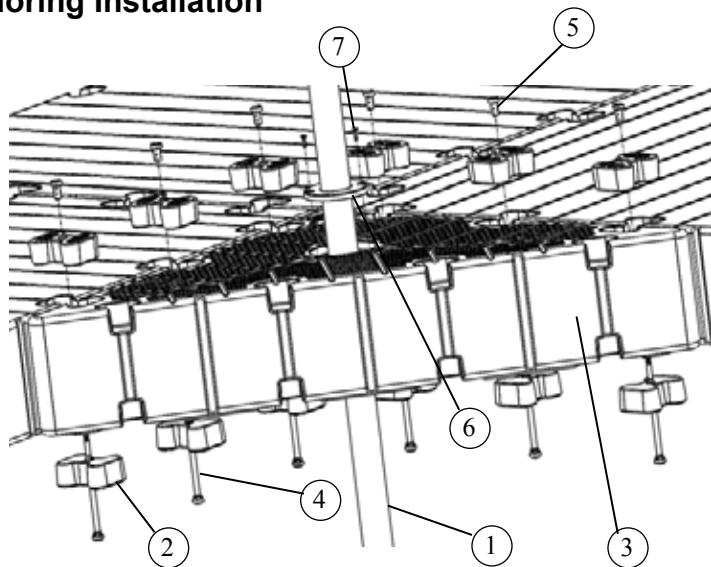
## 300503 Wear Sleeve for Pipe Anchoring Installation (S20617 and S20618)

### Tools Required:

Ratchet  
 15/16" socket  
 Coupler drive socket  
 #4 Phillips Screwdriver

\*\*\*The Pipe Bracket Cover may need to be removed before installation begins\*\*\*

1. With the corner gusset free to float on the water, insert the pipe and wear sleeve into the center hole of the corner gusset. Then auger or drive the pipe in the bottom until it will stand by itself in the approximate location of the final install placement.
2. Attach the polyethylene corner gusset to the dock using the standard coupler sets. Refer to coupler installation instructions on Page 8.
3. Secure the wear sleeve to the corner gusset using the original 80514SS bolts.
4. Finish driving or screwing the pipe into the bottom so that it is solidly in place. The minimum depth of the pipe is three feet.



ITEM	QTY.	PART NO.	DESCRIPTION
1	1	N/A	ANCHORAGE PIPE
2	6	311010	COUPLER
3	1	300503	THREE PIECE CORNER GUSSET
4	6	21103	COUPLER BOLT
5	6	22003	COUPLER NUT
6	1	S20617/S20618	WEAR SLEEVE
7	2	80514SS	5/16" PHILLIPS HEAD BOLT

## Anchoring Pipe and Auger Installation

Tools Required:

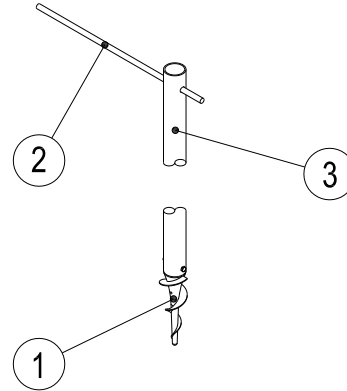
- Drill
- Drill Bit (3/8" for 2-1/2" augers)
- Drill Bit (1/2" for 3-1/2" augers)
- Ratchet
- 9/16" or 15 mm socket and wrench
- 3/4" or 19 mm socket and wrench
- Pipe/Strap wrench (optional)

1. Determine the length and size of pipe needed.
2. Insert auger butt into the end of the pipe and drill a 3/8" hole through the pipe and auger at the same time.
3. Insert bolt that is provided through the hole and tighten with the lock nut that is provided.
4. Use pipe strap wrench to spin the auger and pipe into the water bed.

-OPTIONAL-

Ensure the pipe is free of stress. Drill hole near the top of the pipe and use a drive tool to spin the pipe into the water bed.

**IMPORTANT: IF THIS METHOD IS USED, THE TOP SECTION OF THE PIPE WITH HOLE MUST BE TRIMMED BEFORE USE.**



ITEM	QTY.	PART NO.	DESCRIPTION
1	1	10355/10255	AUGER-3 1/2"
2	1	TOOL	DRIVE TOOL (OPTIONAL)
3	1	N/A	ANCHORAGE PIPE (SOLD SEPERATELY)
4	2	80124	BOLT 1/2"-13 X 4" SS
5	2	80119YZ	NUT 1/2"-13 HEX

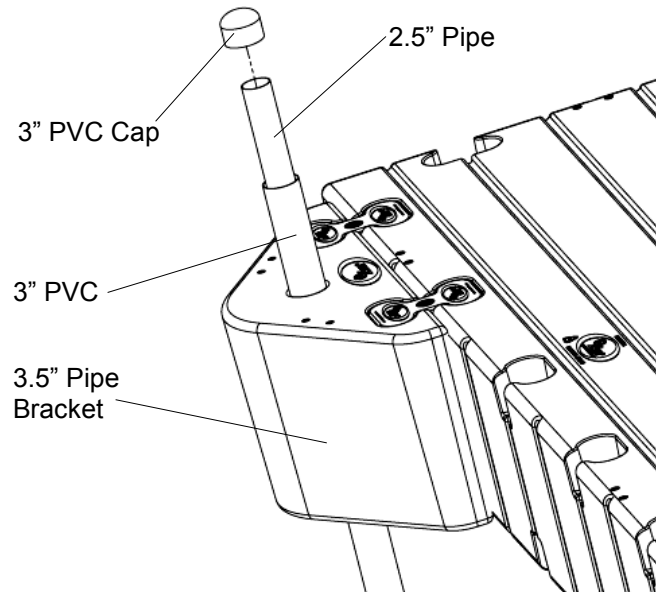
**Note:** Sometimes it is necessary to grind the shank of the auger to allow it to fit inside the pipe.

### PVC Sleeve (Recommended for all salt water applications)

For rough water conditions a PVC pipe sleeve can be used to provide a wear sleeve and give the dock/port section greater flexibility.

#### Important Notes:

- Ensure PVC goes into the soil bed
- Glue on PVC cap for salt water applications

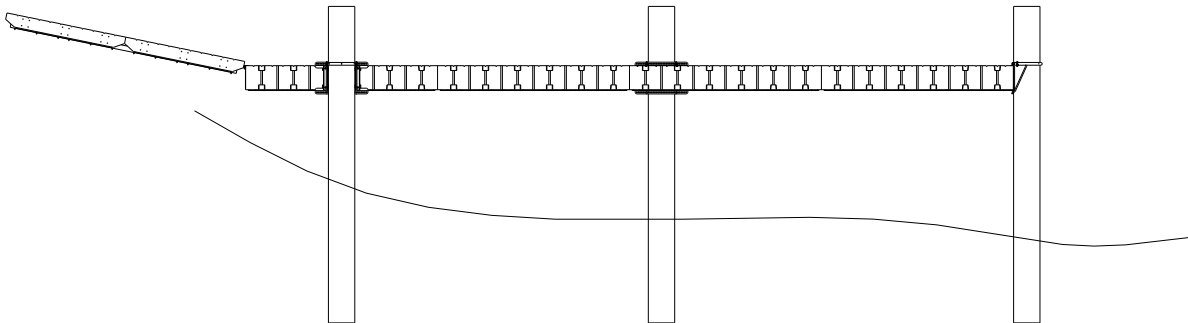
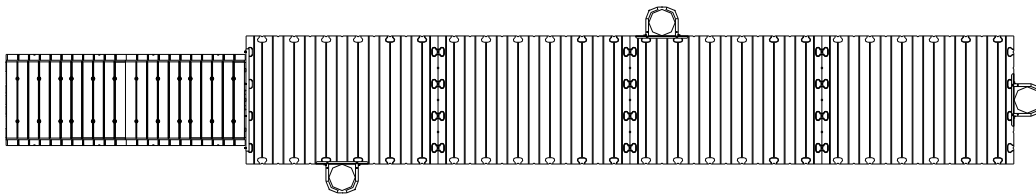


## Piling Anchoring

The heavy duty piling bracket is recommended for deep water levels or severe conditions such as heavy wave or wind action or when a large craft is to be moored to the dock system. The piling needs to be driven a minimum of 3' into the bed when you have moderate water going deeper with rougher water. Some of the harsh environments where the use of pilings are recommended are shown below.

- Where vessels of thirty feet or longer are to be moored.
- Where the water depth is greater than 18 feet.
- Where there are extreme winds and/or currents to contend with.
- When large water fluctuations are present.
- Where severe floating ice conditions are present and could cause the smaller pipe to bend and/or be pulled out.

Pilings typically range from six to twenty-four inches in diameter and are driven into body of water from seven to forty feet.



## Piling Brackets

The piling brackets are available in two models, a standard-duty and heavy-duty. Both brackets are designed for variable adjustment to attach to existing piles. Generally piling brackets are used in pairs and spaced approximately 40' apart, but can vary depending on site condition and/or customers usage expectations.

### Standard-Duty Piling Bracket (100800)

#### Piling Hoop (100804, 100806, 100808, 100812, 100816, 100820 & 100824)

The standard-duty piling bracket is designed for water installations greater than 18 feet, more severe conditions such as heavy wave or wind action, or when larger vessels will be moored to the dock system. The standard-duty piling bracket can be adjusted to accommodate existing pilings. We have several hoop sizes to accommodate any piling you may have. Be certain there is sufficient clearance between the hoop and piling so the dock can move freely with water level changes.



(Bracket and hoop sizes sold separately)

### Heavy-Duty Piling Bracket (300800)

The heavy-duty piling bracket is recommended for deep water or severe conditions such as heavy wind or wave action or when larger craft will be moored to the dock system. The bracket has multiple coupler pockets for easier alignment to existing pilings. It can be coupled with any pocket configuration to allow the piling to center in the piling bracket. You never want to span a seam, as restricting the movement of the dock will create more stress on the couplers. Position the adjustable steel rollers in various configurations to fit pilings from 6" to 18".



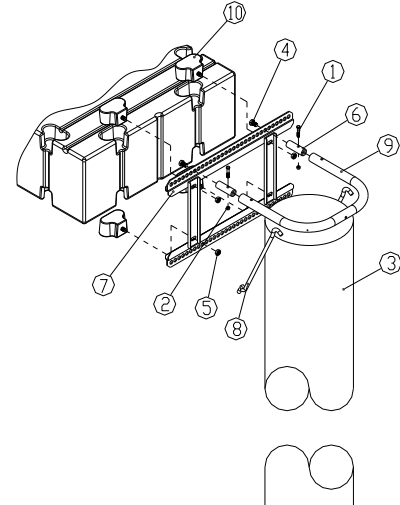
(300800 shown)

## NOTES:



## Standard-Duty Piling Bracket Installation

1. Loosely attach two hardware connectors to the bottom of the adjustable piling bracket.
2. Place two hardware connectors into the top pockets of the dock section where the piling bracket is to be installed.
3. Next, guide the bracket and previously installed bottom hardware connectors (tapered side up) so that the bottom connectors are brought up and fully seated into the bottom pockets.
4. Move the bracket in towards the dock so the top two hardware connectors align with the mount holes in the bracket.
5. Secure the bracket to the dock by fully threading the enclosed 5/8" lock nuts. Install piling, and if using existing piling, make sure that the hoop can go around piling and mount into hoop mount holes on each side.

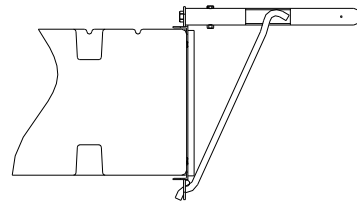
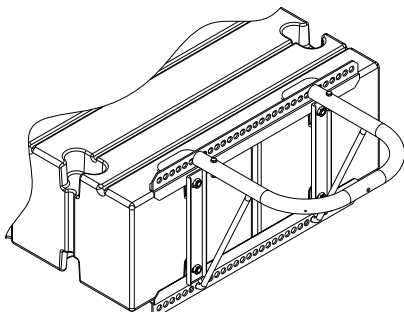


ITEM	QTY.	PART NO.	DESCRIPTION
1	2	80382	BOLT 3/8"-16 X 2"
2	2	80381	NUT 3/8"-16
3	1	N/A	PILING
4	2	80058	BOLT 5/8"-11 X 1 HHCS GRD 5
5	4	80580SS	NUT 5/8" SS
6	2	S10800	PILING GUSSET ARM
7	1	S10801	PILING HOOP INSERT
8	2	S10803	PILING HOOP BRACE GUSSET 21"
9	1	N/A	PILING HOOP (SOLD SEPARATELY)
10	4	S21140SS	HDW CONNECTOR MALE 5/8" SS

## Hoop Assembly Installation

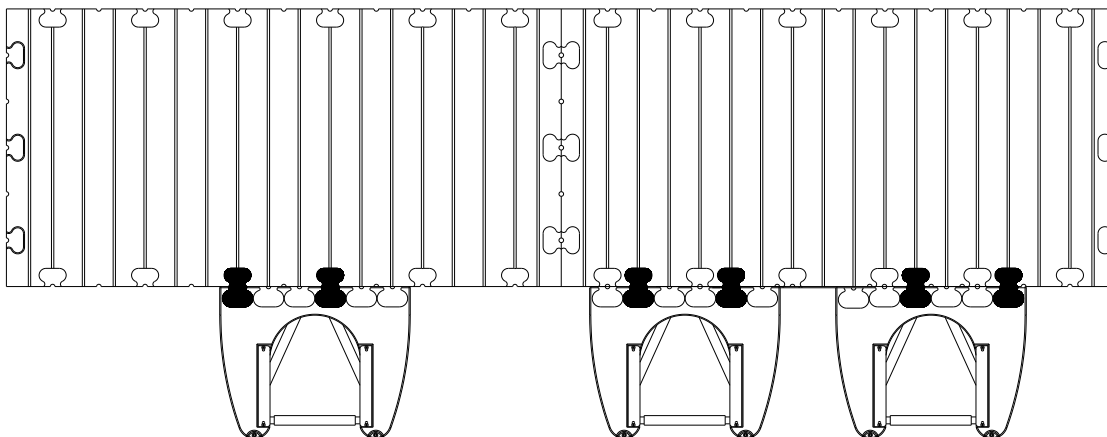
1. Place hoop insert into the hole at the end of the hoop.
2. Insert 3/8"-16 X 2" hex bolt through top of hoop and hoop insert. Secure with 3/8"-16 hex nut.
3. Insert the hooked end of the hoop brace into the pre-drilled hole in the bottom of the hoop.
4. Rotate the brace clockwise until it fits snugly inside the hoop.
5. Center hoop assembly around the pile and insert ends of the hoop brace into the corresponding holes on the bottom of the piling bracket.
6. Apply pressure while pulling the hoop up and towards the dock until the ends of the hoop are flush with the top of the bracket.
7. Insert 5/8"-11 X 1" hex cap screws through the top holes of the bracket and into the threaded end of the hoop insert.

Note: There should be approximately 1" of clearance between the pilings and piling brackets

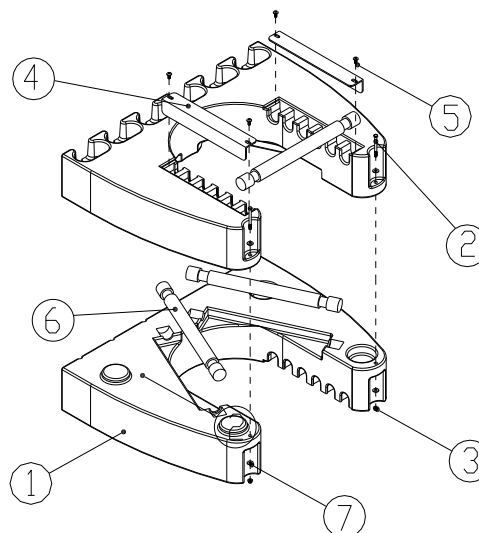


## Heavy Duty Piling Bracket Installation

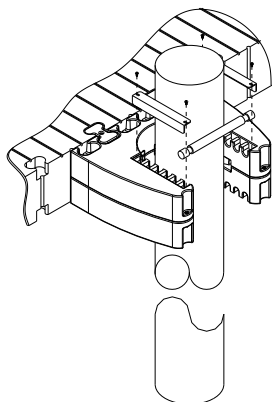
The heavy-duty piling bracket can be coupled with any pocket configuration to allow the piling to center in the piling bracket. You never want to span a seam, as restricting the movement of the dock will create more stress on the couplers.



1. Place the two bottom roller assemblies into the bottom in either the forward or backward position. For pilings up to 12" diameter or smaller, use the forward position. For pilings larger than 12" use the rear roller position.
2. Place the top half of the piling bracket on top of the lower half as shown and bolt them together using the 5/16" X 3-1/2" bolts (80535SS) and nuts (80095-15).
3. Attach the piling bracket to the dock in the desired pocket location and secure using two standard coupler sets.
4. After you have the piling bracket around the piling and centered, place the remaining roller assembly into one of the top roller cradles. It is important to leave 1" to 1-1/2" clearance between the rollers and piling so that the dock may move freely with changing water level.
5. Place the roller covers over the roller cradles on the top bracket and secure using four 5/16" X 1-1/2" truss head bolts (805755SS).



Note: There should be 1" of clearance between the rollers and piling



ITEM	QTY.	PART NO.	DESCRIPTION
1	2	S20800	POLY. ADJ PILING BRACKET
2	2	80535SS	BOLT 5/16"-18 X 3-1/2" HEX
3	2	80518	NUT 5/16"-18 NYLOCK HEX
4	2	S221875	ANGLE RETAINER 18-3/8" L SS
5	4	80575SS	BOLT 5/16" X 3/4" TRUSS HEAD SS
6	3	S20801SS	ROLLER ASSEMBLY PILING
7	4	117003	WASHER 5/16" FLAT

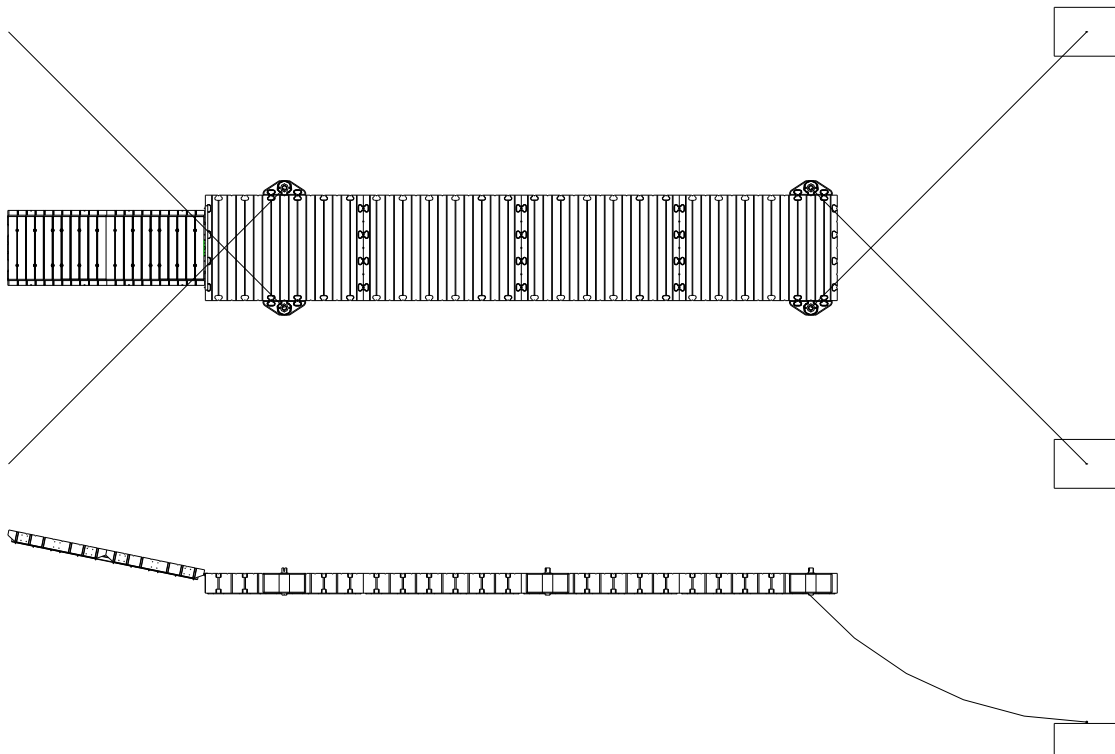
## Deadweight Anchoring

Deadweight anchoring is a method of supporting the dock system by placing a large weight on the bed of the body of water. It is then attached to the dock by means of chain, cable, or synthetic line.

Deadweights are used to anchor a dock when ice, deep water, poor pipe or piling conditions, and aesthetics are a concern. Please contact your local dealer or EZ Dock for more information on how to properly use a deadweight system for your dock.

EZ Dock offer 4 types of deadweight anchoring brackets to consider when ordering components. Deadweight anchoring requires equal pairs of weights to keep resistance the same on both sides. The heavy-duty pipe bracket has two options. If the water fluctuates on a regular basis, you may want to use the deadweight winch insert. If your dock system is located in a protected area, our standard-duty deadweight bracket may be sufficient.

Installing deadweight anchoring will require the use of a heavy duty pipe bracket (210350) with a deadweight insert (100725P) or winch insert (100730), a mid-weight bracket (100700), or a standard duty deadweight bracket (100740 or 100740SS). When possible, chain should be the primary choice for all dead weight installations. In waters that fluctuate frequently the use of a “tawning” weight may be necessary. Tawning weights are smaller weights (50-200 lbs.) placed 2/3 the distance of the maximum water fluctuation from the primary deadweight. This will allow tension on the chain at lower tide levels. As a general rule, deadweights need to be placed in opposing pairs at a 30° angle from the dock and the chain length should be roughly 3-4 times the water depth away from the dock.



## Deadweight Brackets

There are three brackets ranging from light duty to heavy duty that work well for deadweight anchoring your EZ Dock. The heavy duty bracket will allow you to use a chain insert or a winch to quickly and easily adjust your dock to frequently changing water levels.

### Standard-Duty Bracket (100740, 100740SS, 115740, 115740SS)

The standard-duty deadweight bracket is designed for applications with water depths greater than 12 feet. Using pipe brackets work well in calm or deep water. The bracket has a key hole slot to attach your chain. Or the bracket may be used to attach 4 X 4 railing for mooring posts.



### Deadweight Bracket (100700)

When water conditions are more severe and you need more than the small deadweight, but not the larger one, this bracket is what you need. It has the same slotted features to hold the chain in place.



### Heavy-Duty Bracket Deadweight (210350, 100725P or 100730)

The deadweight is available with a deadweight insert (100725P) or a deadweight winch insert (100730) to attach deadweights to anchor EZ Dock sections. When using the winch, the cable can be easily adjusted for various water conditions. The deadweight inserts come ready to insert into an EZ Dock heavy duty polyethylene pipe bracket. The pipe bracket, insert, and cable needed for the installation are sold separately.



(210350 & 100725 shown)

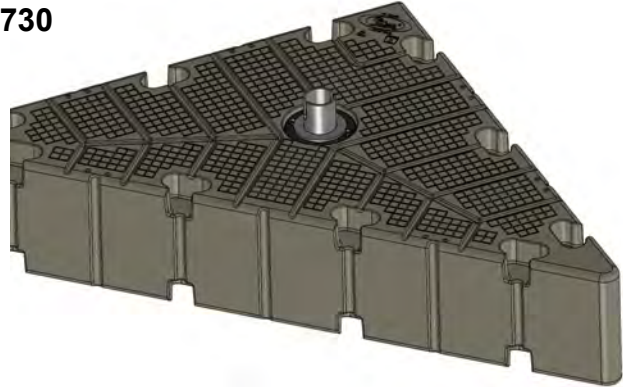


(210350 & 100730 shown)

## Corner Gusset (300503, 100725P, or 100730)

The 300503 can also be used with EZ Docks 100725P Deadweight insert as well as the 100730 Winch insert. The same guidelines should be taken while installing these as a pipe bracket.

**The center hole of the corner gusset should be fitted at all times with either the supplied S20616 cap or an EZ Dock anchoring method. THE CENTER HOLE OF THE CORNER GUSSET SHALL AT NO TIMES BE LEFT OPEN.**

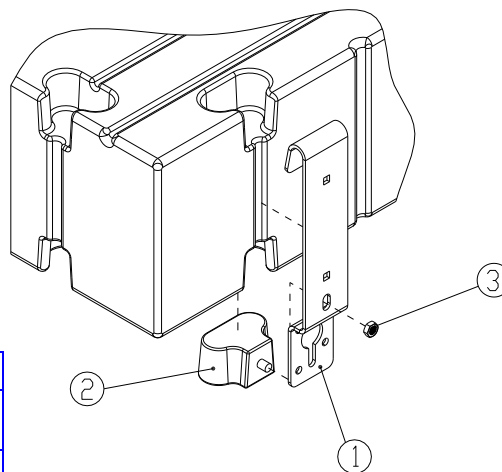


(300503 & 100725P shown)



## Standard Duty Deadweight Bracket Installation

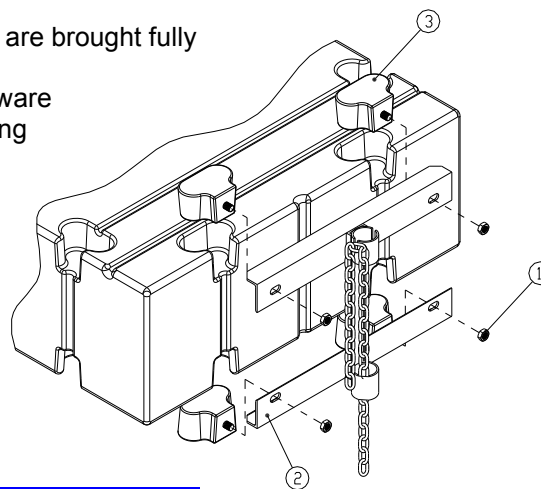
1. Insert the hardware connector in the bottom pocket as shown.
2. Slide hooked portion of bracket into top pocket of the dock and bring bottom portion down over the hardware connector.
3. Secure bracket to hardware connector with the 5/8" lock nut:
  - \*Fully thread nut into place.
  - \*Do not over tighten.



ITEM	QTY.	PART NO.	DESCRIPTION
1	1	S10740** S15740**	SD DEAD WEIGHT BRACKET
2	1	S21140SS	HARDWARE CONNECTOR 5/8" MALE
3	1	80580SS	NUT 5/8" SELF LOCKING

## Mid-weight Duty Deadweight Bracket Installation

1. Loosely attach two hardware connectors (tapered side up) to the inside/bottom of the deadweight bracket mainframe using the 5/8" lock nuts.
2. Place two hardware connectors into the top pockets of the dock where the deadweight bracket is to be positioned.
3. Guide the bracket so the lower hardware connectors are brought fully up into the bottom pockets.
4. Move the bracket in toward the dock so the top hardware connector bolts will protrude through the corresponding holes in the mainframe. Secure by fully threading with 5/8" lock nuts, being careful not to over tighten.
5. Attach chain and weights.



ITEM	QTY.	PART NO.	DESCRIPTION
1	4	80580SS	NUT 5/8" SELF LOCKING
2	1	S10701	MD DEAD WEIGHT BRACKET
3	4	S21140SS	HARDWARE CONNECTOR 5/8" MALE

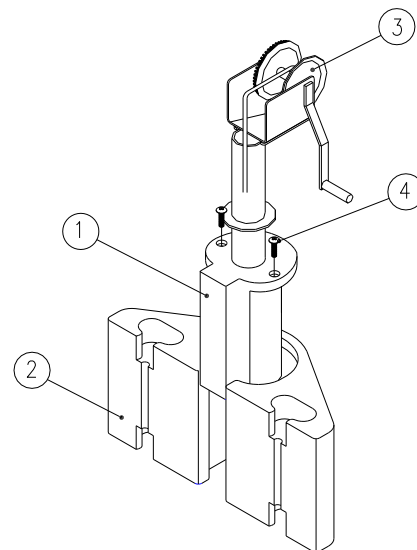
## Heavy Duty Deadweight Bracket Installation

The HD deadweight bracket (210350) is available with a deadweight insert (100725P) or a deadweight winch insert (100730) to attach deadweights to anchor EZ Dock sections. When using the winch, the cable can be easily adjusted for various water conditions. The deadweight inserts come ready to insert into an EZ Dock heavy duty polyethylene pipe bracket. The pipe bracket, insert and cable needed for the installation are sold separately.

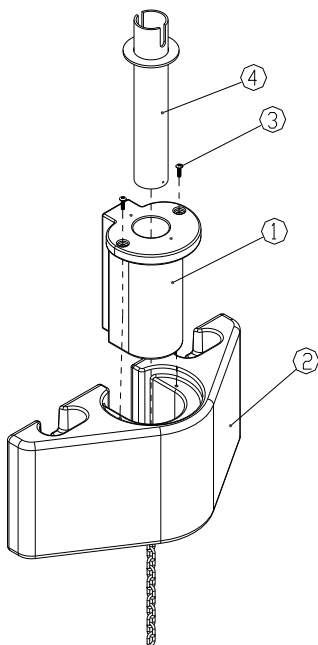
### Tools Required:

Hammer  
 15/16" Socket  
 Ratchet  
 Composite Coupler Tool  
 #2 Phillips Screw Driver  
 9/16" Open End Wrench

1. Install the heavy duty pipe bracket.
2. Slide either the deadweight insert or winch insert in the mainframe.
3. Secure the insert with two 5/16" machine bolts found in small parts bag.



(2103560 & 100750 shown)



(210350 & 1007250 shown)

ITEM	QTY.	PART NO.	DESCRIPTION
1	1	10004	POLY PIPE BRACKET INSERT 3.5" BROWN
2	1	10015	POLYETHYLENE MAIN FRAME
3	1	92600	WINCH 2600LB
4	2	80514SS	BOLTS 5/16"
5	1	S10730	WINCH POST INSERT

ITEM	QTY.	PART NO.	DESCRIPTION
1	1	10004	POLY PIPE BRACKET INSERT 3.5" BROWN
2	1	10015	POLYETHYLENE MAIN FRAME
3	2	80514SS	BOLTS 5/16"
4	1	100725P	DEADWEIGHT INSERT PVC

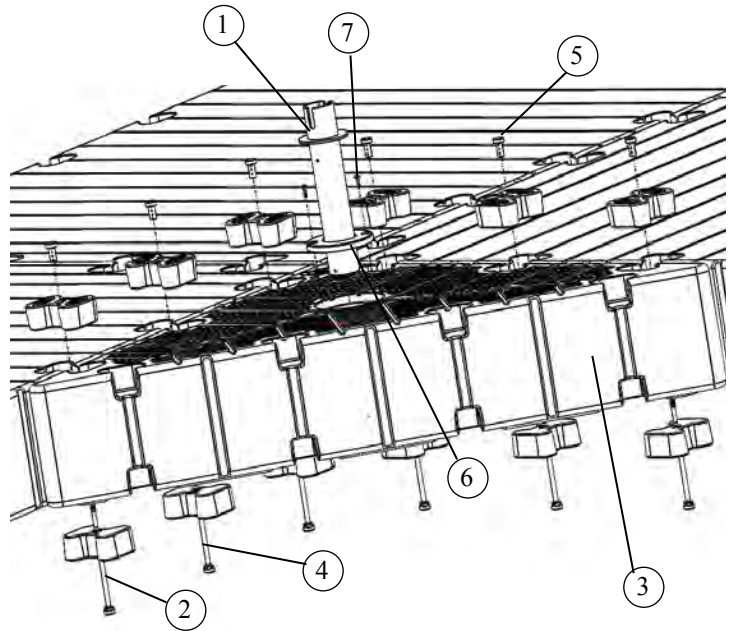
## 300503 Wear Sleeve for Pipe Anchoring Installation (S20617)

### Tools Required:

Ratchet  
 15/16" socket  
 Coupler drive socket  
 #4 Phillips Screwdriver

\*\*\*The Pipe Bracket Cover may need to be removed before installation begins\*\*\*

1. Install the 3 pocket corner gusset
2. Secure the wear sleeve to the corner gusset using the original 80514SS bolts.
3. Slide either the deadweight insert or winch insert into center hole of the corner gusset.



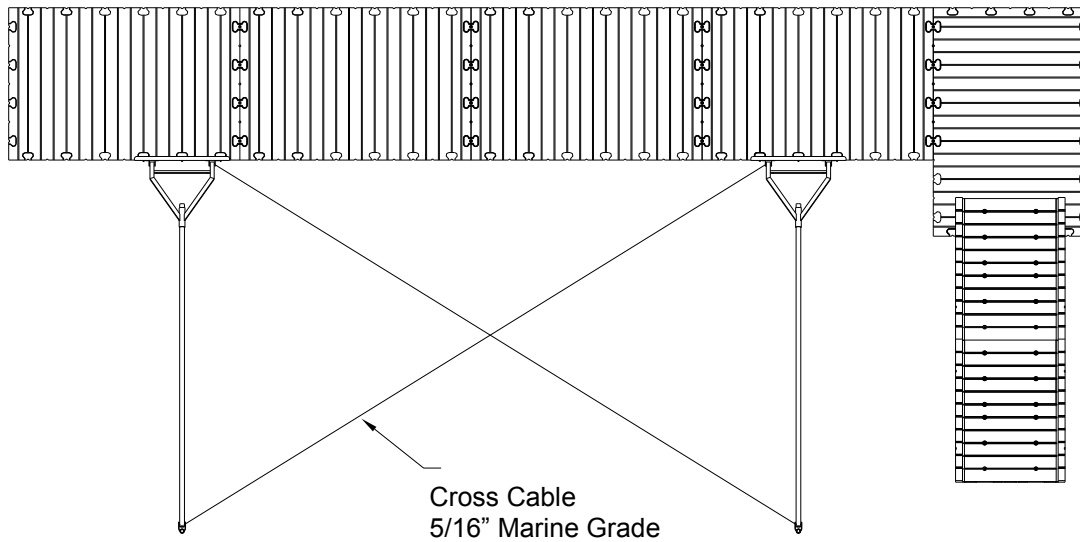
ITEM	QTY.	PART NO.	DESCRIPTION
1	1	100725P/100730	DEADWEIGHT INSERT/WINCH INSERT
2	6	311010	COUPLER
3	1	300503	THREE POCKET CORNER GUSSET
4	6	21103	COUPLER BOLT
5	6	22003	COUPLER NUT
6	1	S20617	WEAR SLEEVE
7	2	80514SS	5/16" PHILLIPS HEAD BOLT

## Stiff-Arm Anchoring

Stiff-arm anchoring is a method of supporting the dock system by attachment to the shore or some other type of rigid structure by poles or arms. These cantilever arms are attached to the rigid structure in such a way as to allow only one degree of freedom. Stiff-arm anchoring is available in a standard-duty or heavy-duty depending on water conditions. Optional shore attachments include a seawall attachment bracket for attaching to a seawall or a post/sleeve attachment for shoreline attachment. Pipe and shore attachment sold separately.

Key Stiff-arm installation points:

- All stiff-arms in an installation must be the same length.
- All stiff-arms must be parallel to each other.
- All stiff-arms must be attached at the same elevation at the shore side.
- Stiff-arm anchoring generally **cannot** be used in combination with piling or pipe type systems.
- All stiff-arm installations must use a cross cabling system as shown below.



## Stiff-Arm Brackets

### Standard-Duty Stiff-Arm Bracket (100700, 80095-20, 115700, 81595-20)

This bracket is a combination bracket. It may be used as a stiff-arm or a dead-weight bracket. This bracket is designed to anchor to a shoreline abutment or shoreline post.



### Heavy Duty Stiff-Arm Bracket (800099)

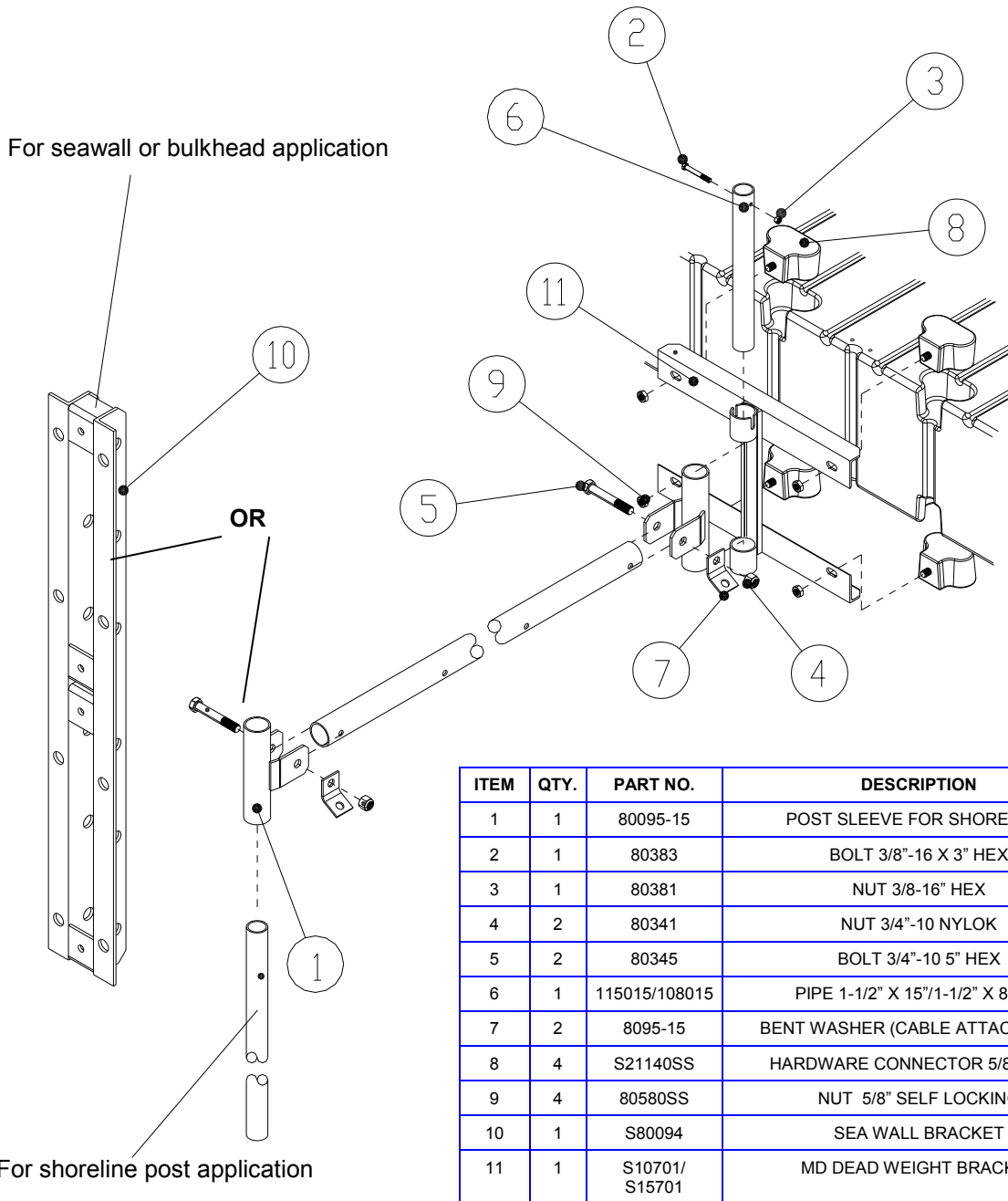
The heavy-duty stiff-arm anchors to a shoreline abutment or to a shoreline post. This bracket requires 3 pockets on your dock to attach.



## Standard Duty Stiff-Arm Bracket (100700 & 115700)

The standard-duty stiff-arm bracket attaches in two pockets.

1. Loosely attach two hardware connectors to the bottom of the main frame using the 5/8" lock nuts.
2. Place two hardware connectors into the top pockets of the dock section where the standard-duty stiff-arm bracket will be installed.
3. Now guide the main frame and previously installed bottom hardware connectors (tapered side up) so the bottom connectors are brought up and fully seated in to the bottom pockets.
4. Move the main frame in towards the dock aligning the top hardware connectors with the mounting holes. Secure main frame to the dock by fully threading the enclosed 5/8" lock nuts.



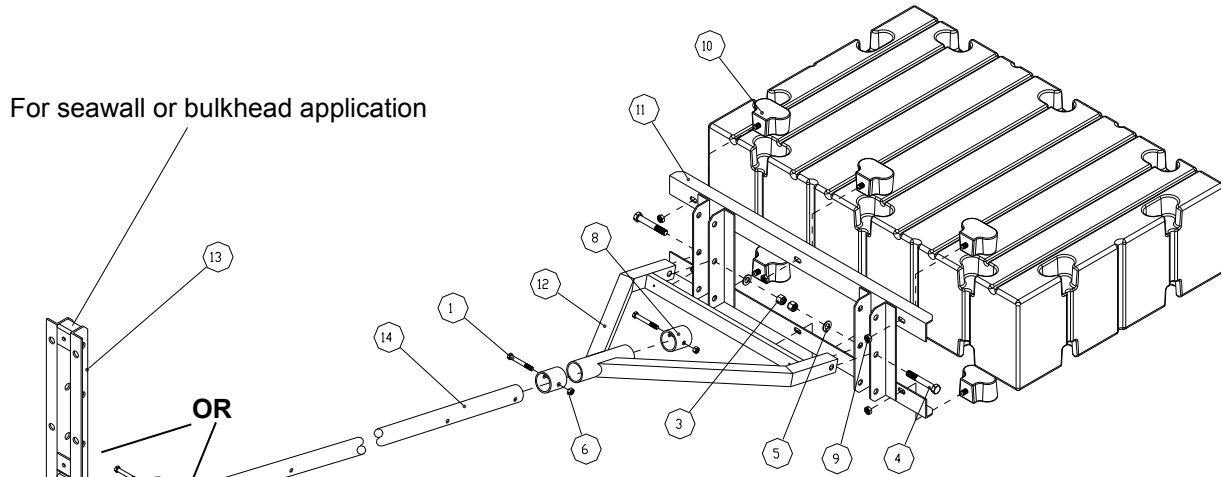
ITEM	QTY.	PART NO.	DESCRIPTION
1	1	80095-15	POST SLEEVE FOR SHORE LINE
2	1	80383	BOLT 3/8"-16 X 3" HEX
3	1	80381	NUT 3/8-16" HEX
4	2	80341	NUT 3/4"-10 NYLOK
5	2	80345	BOLT 3/4"-10 5" HEX
6	1	115015/108015	PIPE 1-1/2" X 15"/1-1/2" X 8-3/4"
7	2	8095-15	BENT WASHER (CABLE ATTACHMENT)
8	4	S21140SS	HARDWARE CONNECTOR 5/8" MALE
9	4	80580SS	NUT 5/8" SELF LOCKING
10	1	S80094	SEA WALL BRACKET
11	1	S10701/ S15701	MD DEAD WEIGHT BRACKET

## Heavy Duty Stiff-Arm Bracket (800099)

### Tool Requirements:

Ratchet  
 15/16" Socket  
 Hammer

1. Loosely attach three hardware connectors to the bottom of the main frame (tapered side up).
2. Place three hardware connectors into top pockets of the dock section where stiff-arm bracket is to be installed. Next, guide main frame and previously installed bottom hardware connectors so the bottom of the connectors are brought up and fully seated into the bottom pockets.
3. Move the main frame in toward the dock so the top three hardware connectors align with the mounting holes in the top rail of the main frame. Secure main frame to dock by fully threading the enclosed 5/8" lock nuts being, careful not to over tighten.



For seawall or bulkhead application

For shoreline post application

ITEM	QTY.	PART NO.	DESCRIPTION
1	3	80124	BOLT 1/2"-13 X 4"
2	1	N/A	ANCHORAGE PIPE (SHORE LINE)
3	2	80341	NUT 3/4"-10 NYLOK
4	2	80345	BOLT 3/4"-10 5" HEX
5	2	80342SS	WASHER 3/4" SS
6	3	80119YZ	NUT 1/2"-13 HEX
7	1	80095-15	POST SLEEVE FOR SHORE LINE
8	2	80900	PIPE STOP
9	6	80580SS	NUT 5/8" SELF LOCKING
10	6	S21140SS	HARDWARE CONNECTOR 5/8" MALE
11	1	S80090	MAIN FRAME TO DOCK BRK
12	1	S80091	A-FRAME YOKE BRK
13	1	S80094	SEA WALL BRACKET
14	1	N/A	ANCHORAGE PIPE 2-3/8"



## GANGWAYS

Access is an important feature of your dock system. EZ Dock has several options available to meet your access requirements, whether it be residential, commercial, or special needs. Gangways are hinged to adjust with changing water levels. EZ Dock gangways are designed to attach to a seawall or concrete abutment using an abutment hinge assembly or a float hinge assembly to allow your dock to sit on the shore with rollers to move in and out with changing water levels.

### Aluminum Gangway (G300308-G300332 & G300508-G300532)

These gangways have a welded aluminum walkway structure with custom aluminum extrusions and welded aluminum handrails that are bolted into place. Lengths of the gangways are from 8' to 32' and widths of 3' and 5'. The aluminum gangways are strong and durable with a cool, slip-resistant ThruFlow™ decking surface that can be used for virtually any application. They are also available without decking.



### Polyethylene Gangway Section (400406, 400412-400418)

The polyethylene gangway section is 48 inches wide to also meet special needs requirements in 6 foot length. You are able to attach three of the polyethylene gangway sections together with components designed specifically for the polyethylene gangway, allowing you to have an 18' gangway. Handrails are also available for added safety. Kits contain all of the necessary hardware to assemble to your gangway.



### Wooden Gangplank Mounting Kit (100240, 100340 & 100600)

The wooden gangplank mounting kit includes a galvanized steel hinge bracket, and the attaching hardware. Lengths of the gangplank vary with the kit you select. Selection of the proper width is important, as the weight of a gangplank that is too wide can cause the first dock section to list. When using the 100240, your gangplank may be 12' long. With a 100340, your gangplank may be 8' long. With a 100600, your gangplank may be 6' long. It is available in 24", 34", and 60" widths. Lengths are based on the gangplank being attached to a system containing at least three dock sections. Lumber is not included. Optional shore-end hinge brackets and roller kits are available.



### Polyethylene Plank Mounting Kit (200200)

The polyethylene plank mounting kit is a hinged polyethylene panel used to create a smooth transition between shore grade and deck surface.



## GANGWAY ACCESSORIES

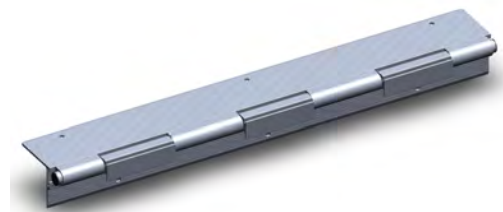
### Float-to-Hinge Kit (G200360, G200460 or G200560), (G215360, G215460 or G215560)

The float hinge assembly is designed to attach your aluminum gangway to the dock. Each type of gangway has a float hinge assembly. For the 3' aluminum gangway you will use the G200360. For the 5' you will use either G200460 or the G200560 depending on the dock sections you are attaching to. The polyethylene gangway uses the 400460 for attaching to a 60" dock, or the 400480 for attaching to an 80" dock.



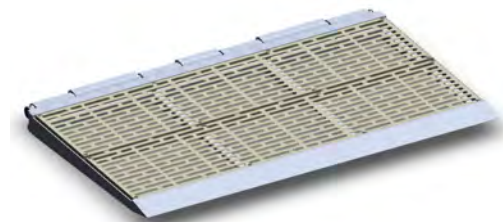
### Shoreline Abutment Kit (G200465)

The shoreline abutment kit allows the aluminum gangway to attach to a shoreline bulkhead with lag bolts. This kit can attach to wood or to concrete with concrete anchors.



### Transition Plate (G200350 or G200550)

The hinged aluminum transition plate with ThruFlow™ Decking can be used on either the dock or the shoreline end of an aluminum gangway that offers a safe, sturdy and skid-resistant surface transition between shore grade and gangway.



### Roller Kit & Roller (300300 w/105030, 300400 w/105035 or 300350 w/105040)

EZ Dock offers an optional roller kit and roller to add to our aluminum or polyethylene gangway. The roller kit and roller protects the end of gangway by adjusting to changing water levels. Part numbers for the roller kits are 300300 for the aluminum gangways and 300350 for the 4' polyethylene gangway. Part numbers for the rollers are 105030 for the 3' gangway, 105035 for the 5' gangway and 105040 for the 4' polyethylene gangway.

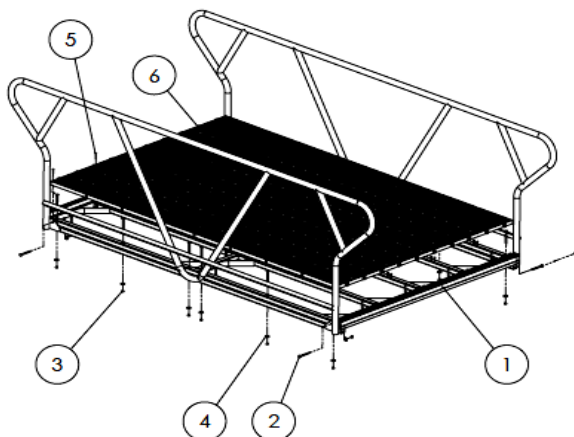


## Aluminum Gangway Installation

### Tools Required:

Drill and Phillips head bit  
 Ratchet and socket set  
 Open-end, boxed-end wrench set  
 Traditional hand or electric saw  
 Tape measure

1. Attach the two handrail sections to the gangway base using the nuts, bolts, and washers provided. Make sure the bolts are tight but not over tightened.
2. Remove the interlocking tabs on only one end of the first and last panel of ThruFlow™ Decking with a saw. All other interlocking tabs not located on the end of the gangway are to be left alone.
3. Lay out all decking panels centered on the gangway before attaching with decking screws provided. This will allow for equal spacing of decking panels.



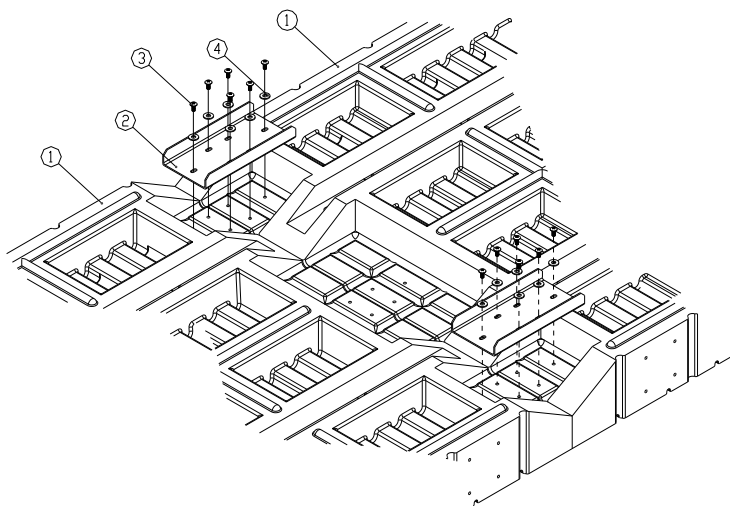
ITEM	QTY.	PART NO.	DESCRIPTION
1	1	G40408	GANGWAY FRAME/RAILS ALUM 4' X 8'
2	16	80540SS	BOLT 5/16"-18 X 3 1/2" CARRIAGE 18-8SS
3	16	110021	GRADE 8 STEEL NUT
4	16	117005	18-8 SS WASHER
5	2	H40015	DECKING SCREWS (KIT OF 32)
6	2	H40444	DECKING PANEL THRUFLOW 4' X 4'

## Polyethylene Gangway Connection Plate & Truss Support Installation

### Tools Required:

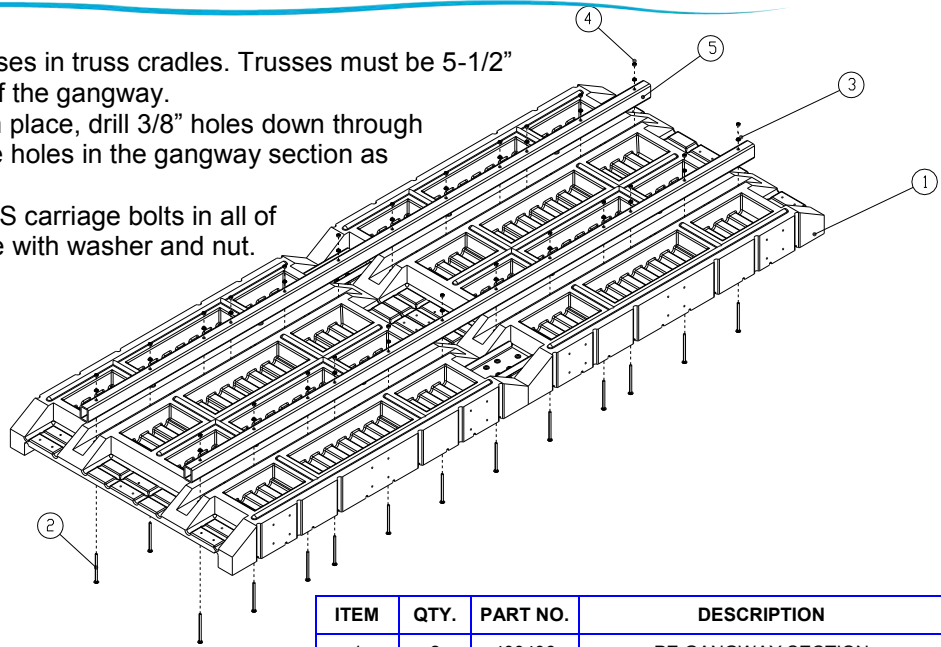
Drill  
 3/8" X 7" drill bit  
 #4 Phillips Screw Driver  
 9/16" Open End Wrench or Socket

1. Lay out the gangway sections with the walking surface down.
2. Bolt the connection plates to the underside of gangway section. Use only the outer two mounting surfaces, leaving the center one empty.



ITEM	QTY.	PART NO.	DESCRIPTION
1	N/A	400406	PE GANGWAY SECTION
2	2	S40410SS	CONNECTING PLATE SS
3	12	80575SS	BOLT 5/16"-18 X 3/4" TRUSS HEAD
4	12	117003	WASHER 5/16" FLAT SS

3. Place aluminum trusses in truss cradles. Trusses must be 5-1/2" from the outer end of the gangway.
4. Once everything is in place, drill 3/8" holes down through the trusses using the holes in the gangway section as pilot holes.
5. Insert the 3/8" X 6" SS carriage bolts in all of the holes and secure with washer and nut.



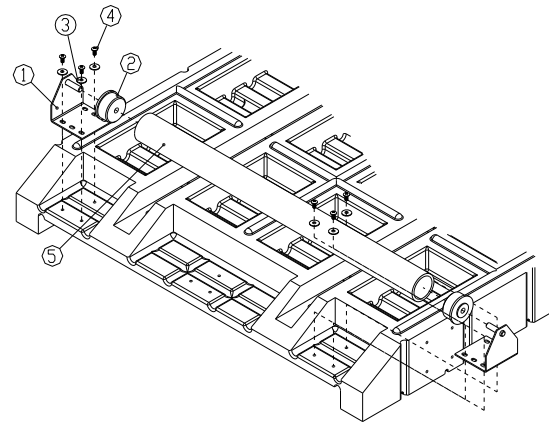
ITEM	QTY.	PART NO.	DESCRIPTION
1	2	400406	PE GANGWAY SECTION
2,3,4	1	S41412SS	PARTS CARTON
5	2	S40137	TRUSS AL 2"X3" TUBE

## Roller Kit Installation

**Tools Required:**  
#4 Phillips Screwdriver

### Polyethylene Gangway Roller Installation

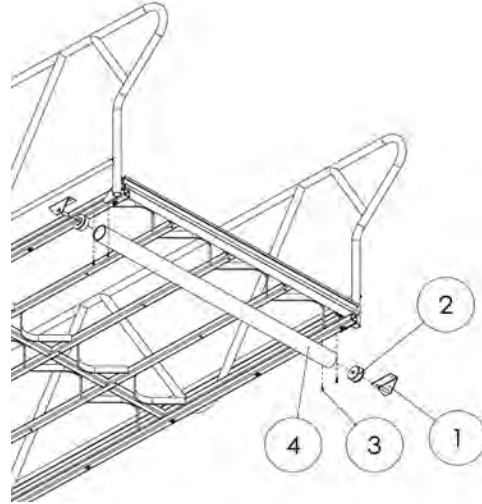
1. Align and secure one SS mounting bracket to the bottom side of the gangway using 5/16"-18 X 3/4" Phillips Truss Head bolts and SS washer supplied in the small parts bag.
2. Align and insert the PVC roller assembly on the previously assembled bracket.
3. Hold in place and insert the other bracket in the opposite end bearing, align to the mounting holes on gangway section.
4. Mount and fully thread all bolts until tight.



ITEM	QTY.	PART NO.	DESCRIPTION
1	2	S30350SS	BRK ROLLER SS
2	2	S30301DR	BEARING ROLLER
3	6	117003	WASHER 5/16" FLAT SS
4	6	80575SS	BOLT 5/16"-18 X 3/4" TRUSS HEAD
5	1	105040	ROLLER 3" PVC SCH 80

## Aluminum Gangway Roller Installation

1. Determine the location the roller kit should be placed from the end of the gangway. Specific placement can vary depending on application.
2. Insert two plastic bearings into each end of the PVC pipe.
3. Align one stainless steel gangway roller bracket on the bottom side of the gangway and attach with two screws and two washers.
4. Align and insert PVC pipe on the secured stainless steel roller bracket. Insert the other roller bracket into opposite end of the PVC pipe then align and secure with remaining screws and washers.



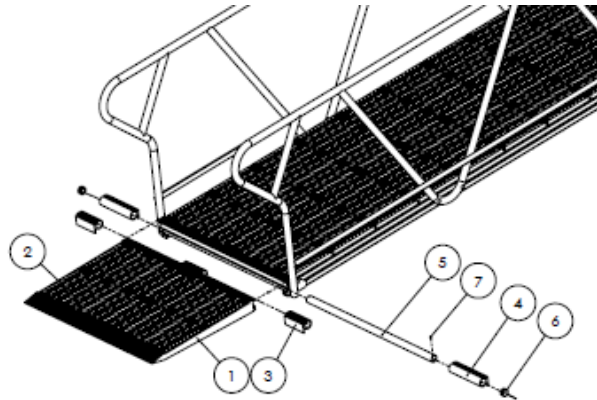
ITEM	QTY.	PART NO.	DESCRIPTION
1	2	30300SS	BRK ROLLER SS
2	2	S30301DR	BEARING ROLLER
3	4	H40015	HARDWARE KIT FOR GANGWAY
4	1	105030/105035	ROLLER 3' PVC SCH 80

## Transition Plate Installation

### Tools Required:

Screwdrivers (Phillips and Standard)  
 Pry-bar (small and large)  
 Electric drill  
 Hammer (rubber mallet)

1. Place ThruFlow™ decking panel in aluminum transition plate base and secure with stainless steel decking screws.
2. Insert proper hinge inserts on the aluminum transition plate and the aluminum gangway and secure with self-tap screws.
3. Insert universal plugs into both ends of the hinge pin. Then, align gangway and transition plate and insert hinge pin and secure with self-tap screws.



ITEM	QTY.	PART NO.	DESCRIPTION
1	1	N/A	ALUMINUM BASE
2	2	N/A	DECKING PANEL THRUFLOW
3	5	H40404	HINGE INSERT SMALL
4	2	H40409	HINGE INSERT LARGE
5	1	N/A	HINGE PIN
6	2	S9000	UNIVERSAL PLUG
7	6	S40014	SELF-TAP ALUMINUM SCREW
8	N/A	H40014	DECKING SCREW SS (KIT OF 32)



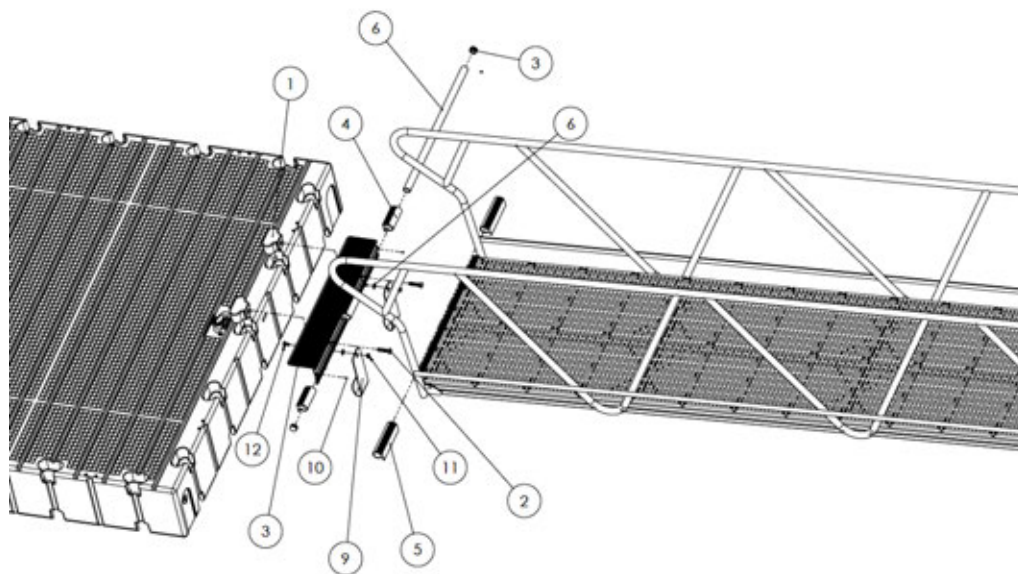
## Float-to-Hinge Kit Installation

### Tools Required:

Ratchet and socket set  
 Electric drill  
 Screwdrivers (Phillips and standard)  
 15/16" or 24mm socket  
 1/2" or 13mm socket  
 Pry-bar (small and large)  
 Hammer (rubber mallet)

1. Insert hardware connectors in the top pockets of the dock and place carriage bolts in back of angle slide facing out.
2. Place angle slide over hardware connectors and loosely tighten middle hex bolt. Insert hinge inserts on angle slide and aluminum gangway and secure with self-tap screws. Then screw in remaining hex bolts into hardware connectors.
3. Place J-hook in lower dock pocket, then align and secure J-hook over the carriage bolt with hex nut.
4. Insert universal plugs into both end of hinge pin then align gangway and float-to-hinge kit and insert hinge pin and secure with self-tap screws.

ITEM	QTY.	PART NO.	DESCRIPTION
1	3	S21141SS	FEMALE HARDWARE CONNECTOR
2	3	80581SS	BOLT 5/8"-11 X 2" HEX CAP 18-8 SS
3	1	H40448	HINGE TO GANGWAY ANGLE SLIDE AL
4	2	H40404	HINGE INSERT SMALL
5	5	H40409	HINGE INSERT LARGE
6	1	H40460	HINGE PIN 56.75"
7	2	S9000	UNIVERSAL PLUG
8	6	S40014	SELF-TAP ALUMINUM SCREW
9	2	H40449	HANGER J-HOOK
10	2	82001	1/2" ID WASHER SS
11	2	110061	1/2" HEX NUT SS
12	2	80385	CARRIAGE BOLT 1/2"-13 X 1"

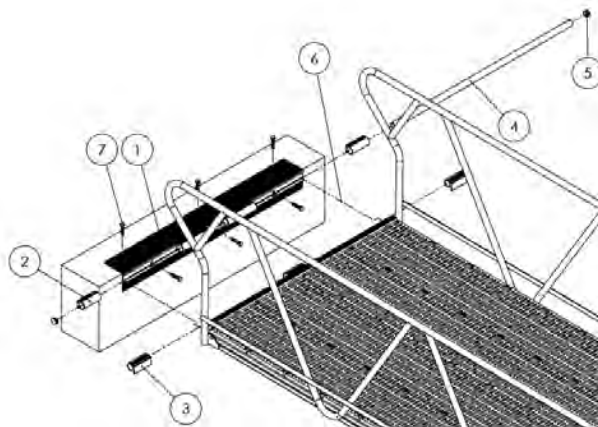




## Shoreline Abutment Kit Installation

### Tools Required:

Ratchet and socket set  
 Electric drill (hammer drill for concrete)  
 Screwdrivers (Phillips and standard)  
 Pry-bar (small and large)  
 Hammer (rubber mallet)  
 Drill bits (masonry bits for concrete)  
 Wrenches



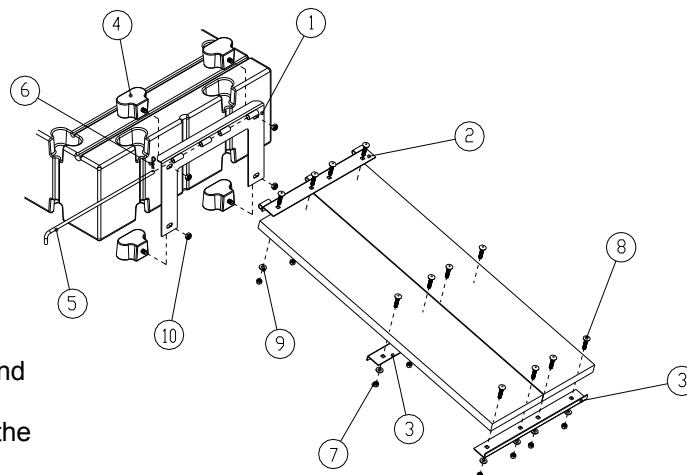
1. Attach angle slide to shoreline bulkhead with lag bolts.
2. Insert proper hinge inserts on the angle slide and the aluminum gangway and secure with self-tap screws.
3. Insert universal plugs into both end of hinge pin then align gangway and abutment kit and insert hinge pin.
4. Secure the hinge pin with self-tapping screws at the ends. This prevents the pin from sliding out.

ITEM	QTY.	PART NO.	DESCRIPTION
1	1	H40448	HINGE TO GANGWAY ANGLE SLIDE AL
2	5	H40404	HINGE INSERT SMALL
3	2	H40409	HINGE INSERT LARGE
4	1	H40460	HINGE PIN 56.75"
5	2	S9000	UNIVERSAL PLUG
6	6	S40014	SELF-TAP ALUMINUM SCREW
7	6	N/A	LAG BOLT

## Wooden Gangplank or Polyethylene Plank Mounting Kit Installation

### Tools Required:

Ratchet  
 5/8", 3/4", and 15/16" Socket  
 Hammer



1. Cut all the planks to equal lengths.
2. Lay the planks side by side as they will be when assembled.
3. Place the hinge-to-plank bracket, shore-end stiffener, and middle stiffener on the planks and mark the holes for bolt locations.
4. Drill 1/2" holes through the planks at each of the locations marked in Step 3.
5. Attach the stiffeners at the shore end and at the mid-point as shown using the carriage bolts, washers, and nuts provided.
6. Attach the hinge-to-float bracket to the dock section by fully threading the 5/8" lock nuts onto the hardware connectors. Care should be taken to not over-tighten the nuts.
7. Align the sleeves of the hinge-to-plank Bracket on the gangplank and the hinge-to-float bracket on the dock side then slide the hinge pin through all the sleeves. Secure the hinge pin with the hinge pin clip.

ITEM	QTY.	PART NO.	DESCRIPTION
1	1	S10241	24" HINGE TO FLOAT BRACKET
2	1	S10242	HINGE TO PLANK BRACKET
3	2	S10248	GANG PLANK STIFFENER
4	4	S21140SS	HARDWARE CONNECTOR 5/8" MALE
5	1	S10244SS	HINGE ROD
6	1	80011	HITCH CLIP PIN
7	12	80119YZ	NUT 1/2"-13 HEX
8	12	81212YZ	1/2"-13 X 2 1/4" CARRIAGE BOLT
9	12	80012	FLAT WASHER
10	4	80580SS	NUT 5/8" SELF LOCKING

## ACCESSORIES

EZ Dock offers a wide variety of accessories to customize your system to suit your needs perfectly. They will increase the utility of your system and, like the rest of the EZ Dock components, are designed for easy installation, durability and safety.

### Corner Gusset (300501 and 315501)

The EZ Dock corner gusset adds deck surface and aids with additional stability. It can be used with any EZ Dock application that creates a 90 degree angle. The gusset has a side cut-out allowing use in conjunction with the utility channel.

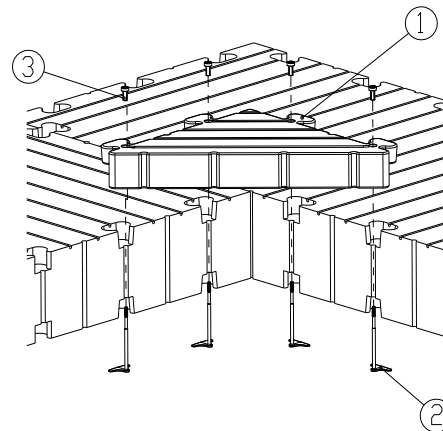


### Installation

#### Tools Required:

Ratchet  
Composite Coupler Tool  
15/16" Socket

1. Insert the corner gusset into position by aligning the molded-on couplers into their corresponding pockets on the dock sections.
2. Next reach under the dock section and insert the corner gusset bolt into position by aligning it up through the hole in the corner gusset and seating the head on the gusset bolt into the bottom pocket.
3. Fully thread the complete nut onto the gusset bolt.



**Caution should be taken not to over tighten the EZ Dock hardware. We recommend tightening to 15 ft. lbs.**

ITEM	QTY.	PART NO.	DESCRIPTION
1	1	S30500	POLY CORNER GUSSET
2	4	22005/ 22007	BOLT COMPOSITE GUSSET BOLT
3	4	22003	NUT COMPOSITE

### Utility Channel (301260, 302060, 302020, 302030 & 302040)

Utility channel is a two-piece chase way that attaches to the side of dock sections allowing conduit for utilities. It is available in two widths, 12" and 20". The 20" utility channel has an inside or outside corner, 20" X 20", and end caps are available.



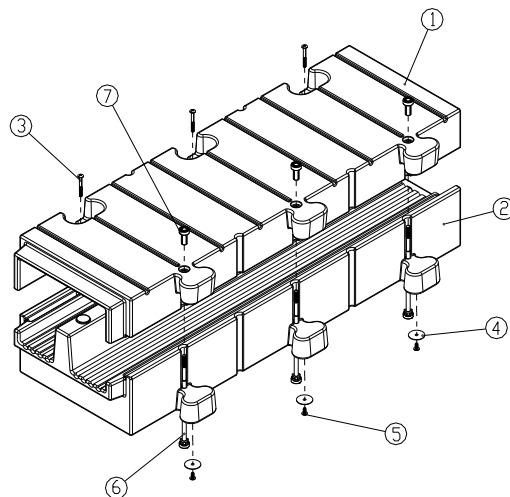
## Utility Channel Installation

### Tools Required:

Ratchet  
 1/2" and 15/16" Socket  
 Composite Coupler Tool  
 Hammer

Utility channels are factory assembled.

1. Remove truss head bolts from pocket area and composite coupler nut from the coupler area. Leave the bolt and washer on bottom.
2. Lift off utility channel top and place in pockets on the side of the dock.
3. Reach under the dock section and insert composite coupler bolt into position by aligning it up through the hole in the utility channel.
4. Thread composite coupler nut onto bolt, being careful not to over tighten.



ITEM	QTY.	PART NO.	DESCRIPTION
1	1	32006	20" UTILITY CHANNEL TOP
2	1	32009	20" UTILITY CHANNEL BOTTOM
3	3	81530SS	BOLT 5/16"-18 X 3" TRUSS SS
4	3	80719SS	WASHER 5/16" X 2" SS
5	3	80575SS	BOLT 5/16"-18 X 3/4" TRUSS HEAD
6	3	211003	BOLT COMPOSITE BOLT LONG
7	3	22003	NUT COMPOSITE

## Corner Storage Box (300760)

Roomy storage in a compact design that makes the most of available space without interfering with foot traffic. Utility boxes for complete utility hookups through this box are also available.

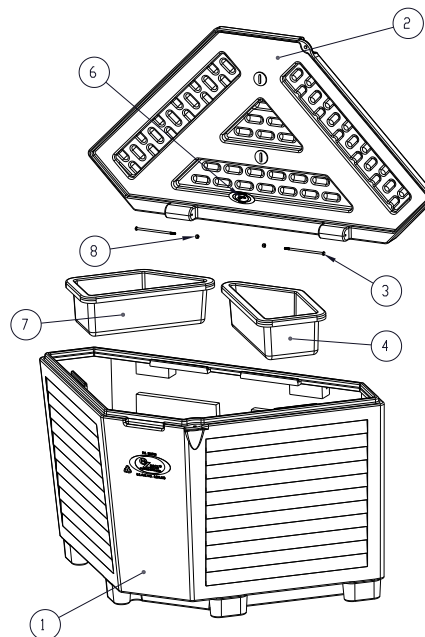
**Note: Please read and understand the warning label on this page. This warning label applies to all dock boxes as they could potentially become air tight.**



### Installation

The EZ Dock Corner Dock Box attaches to any 90 degree turn in the dock layout using a total of 4 coupler pockets. Position the Corner Dock Box over the water and drop the molded-in half couplers located in the bottom of the dock box into the mating coupler sockets on the dock sections. Firmly push into place and attach using the 4 black composite bolts and nuts (22006 and 22003) included in the dock box. See pg. 36 for installation details. To attach to any other dock or deck the dock box may be drilled and attached using self tapping screws and washers (not included).

ITEM	QTY.	PART NO.	DESCRIPTION
1	1	S30761	CORNER DOCK BOX BOTTOM
2	1	S30762	CORNER DOCK BOX LID
3	2	80560SS	BOLT 1/4"-20 X 6" HEX SS
4	1	S30762R	STORAGE BIN PE RIGHT
6	1	00877	EZ DOCK REFLECTIVE LOGO SMALL
7	1	S30762L	STORAGE BIN PE LEFT
8	2	110047	NUT 1/4"-20 HEX NYLOK SS
9	4	22006	BOLT COMPOSITE GUSSET BOLT LONG 9-1/4"
10	4	22003	NUT COMPOSITE



▲ WARNING	▲ AVERTISSEMENT	▲ ADVERTENCIA
<p>SUFFOCATION HAZARD NOT FOR USE BY CHILDREN. KEEP CHILDREN OUT OF CONTAINER. NEVER LEAVE CHILDREN UNATTENDED. ALWAYS KEEP LID CLOSED AND LOCKED WHEN NOT IN USE.</p>	<p>DANGER DE SUFFOCATION. NON CONÇU POUR LES ENFANTS. TENIR LES ENFANTS HORS DU COMPARTIMENT DE RANGEMENT. NE JAMAIS LAISSER LES ENFANTS SANS SURVEILLANCE. TOUJOURS GARDER LE COUVERCLE FERMÉ ET VERROUILLÉ QUAND IL N'EST PAS UTILISÉ.</p>	<p>PELIGRO DE ASFIXIA NO DEBE SER USADO POR NIÑOS. EVITE QUE LOS NIÑOS SE ACERQUEN AL CONTENEDOR. NUNCA DEJE A LOS NIÑOS SIN SUPERVISIÓN. MANTENGA SIEMPRE LA TAPA CERRADA Y ASEGURADA CUANDO NO ESTÉ EN USO.</p>

## Large Storage Box (300750)

This large storage box attaches easily to an EZ Dock system or traditional dock utilizing galvanized bracket hardware. The storage box comes equipped with corrosion-free polypropylene hinges and a riveted marine steel grade hasp for EZ locking capability. It is manufactured along with docks and other accessories giving you a perfect EZ Dock beige match.

**Note: Please read and understand the warning label on Page 39. This warning label applies to all dock boxes as they could potentially become air tight.**

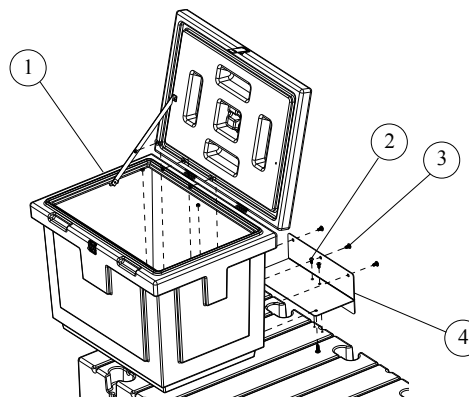


### Installation

Tools Required:

Ratchet  
 1/2" Socket  
 9/16" Socket  
 Phillips Screw Driver

1. Attach 18" cable strap (S40037) to left side of box using embedded T-nuts.
2. Turn storage box upside down, center bracket (S30702) on box and mark hole locations.
3. Drill 1/2" holes in box.
4. Insert two bolts on the outer edge of the bracket before placing on dock section. These bolts will need to be in place before attaching bracket at T-nut locations on the side of the dock. With two 5/16-18 truss head bolts (81540SS) and flat washers attach bracket to dock.
5. On the back of the bracket, slide three 3/8-16 X 3/4" carriage bolts (104064) through bracket and back of box. Place flat washers over carriage bolts and fully thread three 3/8-16 Nylok Hex nuts onto the carriage bolts.



ITEM	QTY.	PART NO.	DESCRIPTION
1	1	S30701	DOCK BOX W/ HASP
2	1	81540SS	TRUSSHEAD BOLT
3	1	104064	3/8 CARRIAGE BOLT
4	1	S30702	BRACKET, BOX

## Center Mount Bench (300980)

Designed for easy installation on your EZ-Dock structures or on other traditional docks. Can either be installed using the embedded t-nuts on the perimeter of your EZ-Dock or lag bolted to the rubber couplers.

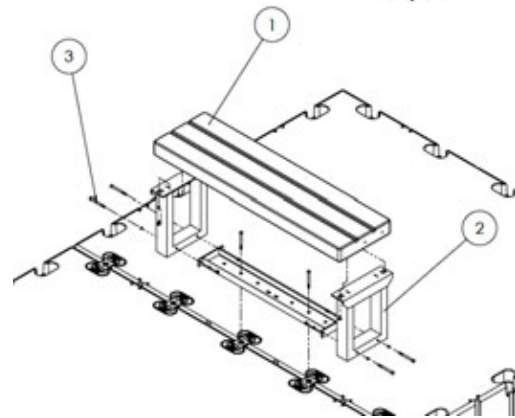
### Installation

#### Tools Required:

Drill  
 15/16 socket  
 9/16 socket and wrench  
 Ratchet  
 #4 Phillips Screwdriver

1. Attach side bench mounts to the center dock mount using the 3/8" X 4" bolt, washers, nuts.
2. Attach the bench seat to the mounts using the 3/4" long bolts and washers
3. Using the provided lag bolts bolt the bench to the couplers, or bolt in using the molded t-nuts.

ITEM	QTY.	PART NO.	DESCRIPTION
1	1	S30965	PLANK
2	1	S30980	BENCH BRACKET
3	1	HW30980	HARDWARE KIT





## EZ Dock Swim Ladder (300260)

The one piece polyethylene ladder is designed for optimal safety with no exposed hardware and 300 pounds of weight capacity. Slip-resistant textured beige color surface stays cool to the touch in hot weather.

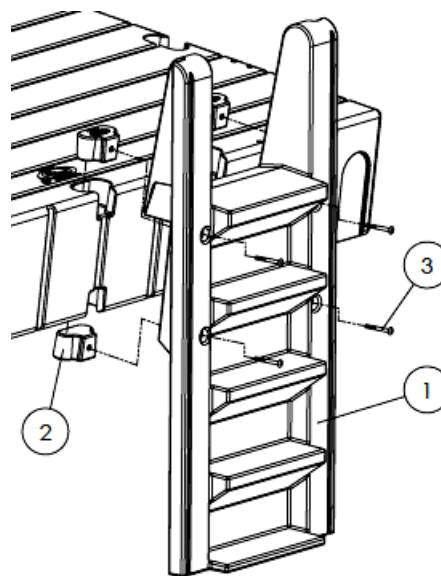
To assist with the installation of the ladder, there is a hole on the back side of the ladder. Place this hole under water and allow the ladder to fill about a quarter way full with water.

### Installation

#### Tools Required:

#4 Phillips Screw Driver

1. Loosely attach two of the polyethylene hardware connectors (201035) to the lower two attachment points of the ladder using two 3/8-16 X 3-1/2 truss head bolts (80636SS). For attaching the ladder to low profile installations, put two hardware connectors in the middle attachment point holes.
2. Place the remaining two polyethylene hardware connectors in the top pockets of the dock where the ladder is attached.
3. Place the ladder into the water and bring the bottom two connectors up and into the bottom pockets of the dock.
4. With the bottom connectors fully up and into the bottom pockets, bring the top of the ladder toward the dock and into position over the top connectors.
5. Thread two bolts through the top holes in the ladder and into the top connectors.



ITEM	QTY.	PART NO.	DESCRIPTION
1	1	30260	SWIM LADDER POLY 5 STEP
2	4	S21142SS	LADDER CONNECTOR POLY SS
3	4	80636SS	BOLT 3/8"-16 X 3-1/2" TRUSS SS

PAGE INTENTIONALLY LEFT BLANK

## Polyethylene Bench Kit (300970)

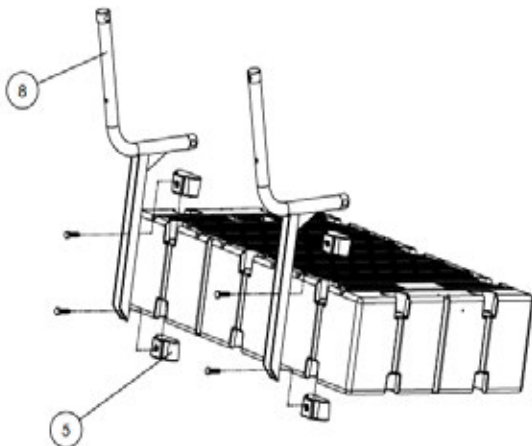
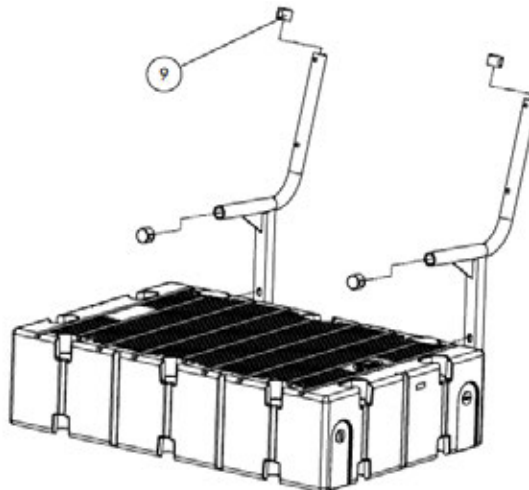
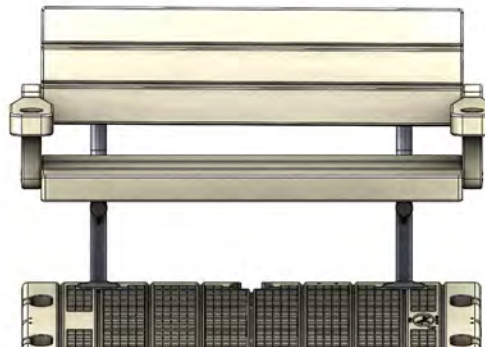
The polyethylene bench kit is a nice addition to any dock system. It is manufactured from the same material as the docks so it matches perfectly every time. Added features include cup holders built into the arms.

### Installation

#### Tools Required:

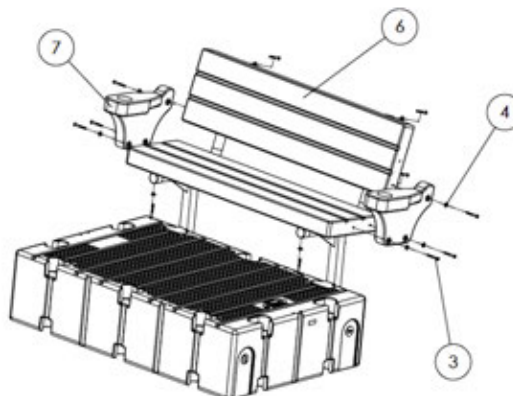
#4 Phillips Screwdriver  
15/16" Wrench or Socket

1. Insert hardware connectors in both bottom and top dock pockets as shown.
2. **LOOSELY** mount the dock brackets using the washers and 5/8" X 2" bolts into the couplers.
3. Both bench planks are identical and will fit on either side of the bench. **LOOSELY** fasten the poly bench planks to the bench support brackets using the domed washers and 5/16 X 2 1/2" bolts.



ITEM	QTY.	PART NO.	DESCRIPTION
1, 2	1	S31966	PARTS CARTON FOR PE BENCH
3	6	80528SS	BOLT 5/16" X 2 3/4" PHPS TRUSS SS
4	6	117005	WASHER 3/8 FLAT 18-8 SSS
5	4	S21141SS	HARDWARE CONNECTOR 5/8" FEMALE
6	2	S30965	BENCH PLANK POLY
7	2	S30966	ARM REST POLY
8	2	S30967AL	PE BENCH DOCK BRACKET
9	4	S28118	CAP, BENCH BRACKET

4. If installing the optional arm rests, it will be necessary to leave bolts finger tight to insure proper alignment of the arm rest. **LOOSELY** mount arm rests to the end of the bench assembly using the 5/16" X 2 3/4" bolts. Both arm rests are identical and will fit either side of the bench. Insure the bench plank bolts are tightened after installation of arms.
5. Tighten all bolts.



## Fish Cleaning Station (300990)

Use this cleaning station after your next big catch. Easy cleanup with the provided Thruflow® decking. Bolts together using simple hand tools.

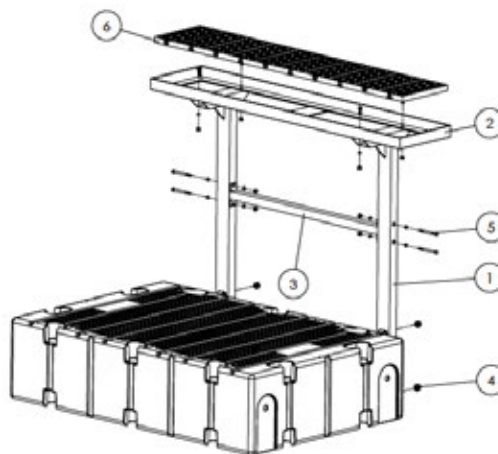
### Installation

#### Tools Required:

15/16 socket  
9/16 socket and wrench  
Ratchet  
#4 Phillips Screwdriver

1. Insert top and bottom hardware connectors.
2. Insert legs onto the hardware connectors and loosely fasten the 5/8" nut.
3. Connect legs with the support brace and table using the supplied hardware.
4. Fully tighten all bolts and nuts, and insert decking panel.

ITEM	QTY.	PART NO.	DESCRIPTION
1,2,3	4	S30990	LEGS, SUPPORT BRACE, AND TABLE
4	4	80580SS	5/8-11 HARDWARE CONNECTOR NUT
5	4	HW30990	HARDWARE KIT
6	1	H40551	DECKING PANEL



## 8" Nylon Tie-Up Cleat (300100)

To add to your personal touch and accommodate your personal needs, you may add a 8" tie-up cleat to tie up smaller boats. The 8" tie-up cleat attaches easily to the heavy duty stainless steel T-nuts molded in pairs around dock section perimeters.

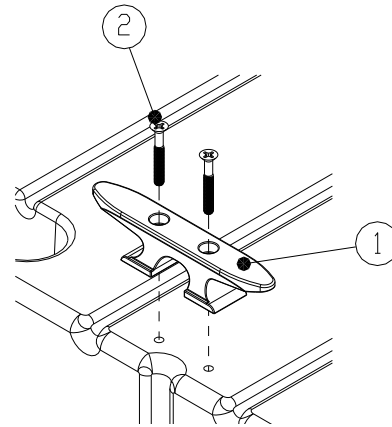


## 8" Tie-Up Cleat Installation

### Tools Required:

3/16" Allen Wrench

1. Clean out any grit or debris that might have gotten into the stainless-steel inserts in the dock.
2. Secure each cleat using two (80525SS) 15/16" X 2" Allen head machine bolts included in the kit.



ITEM	QTY.	PART NO.	DESCRIPTION
1	1	30101	CLEAT NYLON 8" TIE UP
2	2	80521SS	BOLT 5/16"-18 X 2" CS Allen Head

## 12" Galvanized Tie-Up Cleat (300110)

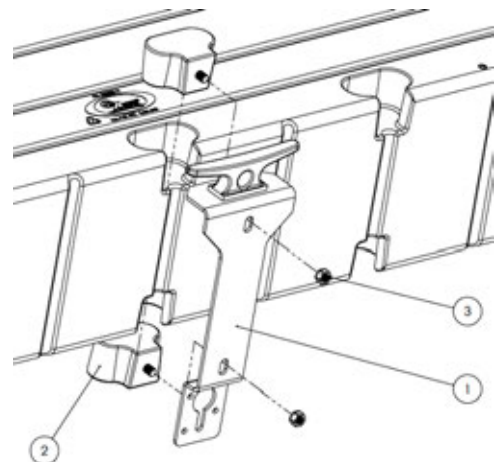
These tie-up cleats attach in a pocket on the side of the dock using top and bottom hardware connectors. This cleat is intended for temporary mooring of boats up to thirty feet long and has the capability of using larger dock line. Also doubles as a standard duty deadweight bracket.

## Installation

### Tools Required:

Ratchet  
15/16" Socket  
Hammer

1. Insert hardware connector into top and bottom coupler pocket.
2. Position the Tie-Up Cleat onto the hardware connectors.
3. Secure bracket to hardware connector with the 5/8" lock nut (80580SS). Fully thread nut into place but do not over tighten.
4. Follow all deadweight instructions when using this Tie-Up Cleat as a deadweight anchor.



ITEM	QTY.	PART NO.	DESCRIPTION
1	1	S30110	CLEAT AL TIE UP 10"
2	2	S21140SS	HARDWARE CONNECTOR 5/8" MALE
3	2	80580SS	NUT 5/8" SELF LOCKING

## Bumper Kit (300180)

This dock bumper is designed to protect your boat. This bumper will attach to the EZ Dock product using embedded T-nuts.

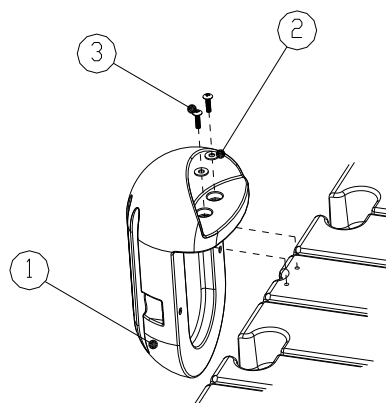
### Installation

#### Tools Required:

#4 Phillips Screwdriver

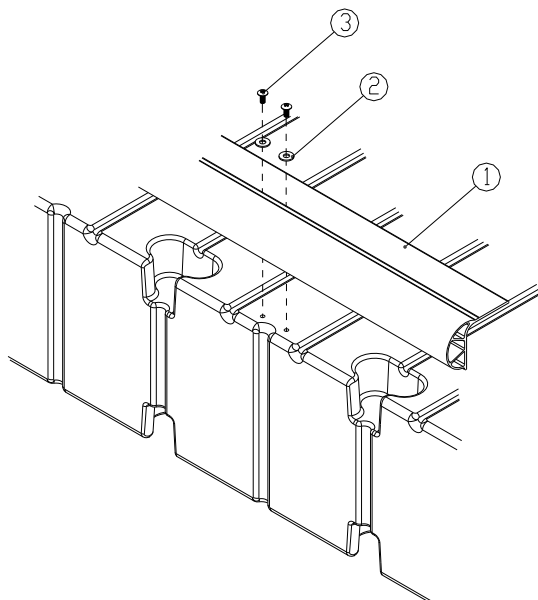
1. Select the set of T-nuts you want to attach the bumper to.
2. Clean out any grit or debris that might have gotten into the stainless-steel inserts in the dock.
3. Secure bumper using two flat washers (117005) and 5/16" X 1-1/2" Phillips Truss head Bolts (80515SS).

ITEM	QTY.	PART NO.	DESCRIPTION
1	1	S30180	BUMPER DOCK
2	2	117005	WASHER 3/8" FLAT SS
3	2	80515SS	BOLT 5/16"-18 X 1-1/2" TRUSS SS



## Dock Edging (406117)

Our dock edging is constructed of durable vinyl to provide a soft cushion to protect boats from the sides of docks and vice versa.



ITEM	QTY.	PART NO.	DESCRIPTION
1	1	S40016	DOCK EDGING 10'
2	2	117003	WASHER 5/16" FLAT SS
3	2	80575SS	BOLT 5/16"-18 X 3/4" TRUSS SS



## Security Curbing (35116)

The security curbing provides a safe border around dock edges for wheelchairs and attaches in the T-nuts located around the outside perimeter of the dock. Curbing is 116" in length, and you will need to cut, fit and drill holes in the proper locations. Curbing is made from recycled materials.

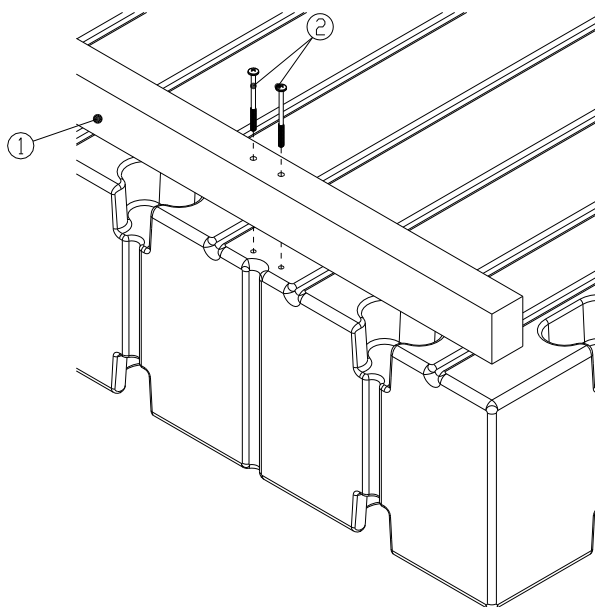


## Installation

### Tools Required:

#4 Phillips Screw Driver

1. Place curbing or vinyl edging on dock section in area to cover. You may need to cut it to fit. Mark T-nut locations and drill.
2. Use 5/16" X 3" flathead Phillips bolt (80530SS) and attach into T-nuts. (Part Number 80530SS is sold separately.)

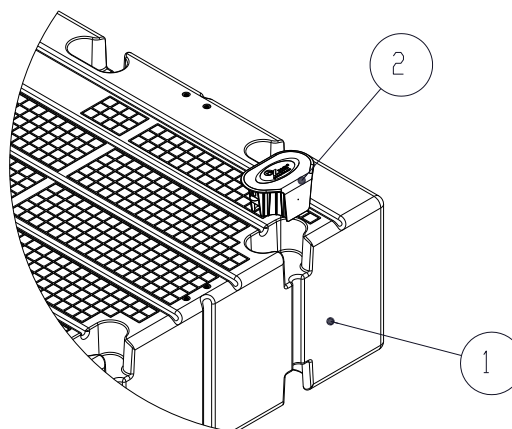


ITEM	QTY.	PART NO.	DESCRIPTION
1	1	S35116	CURBING 2-1/2" X 3-1/2" X 10'
2	2	80530SS	BOLT 5/16"-18 X 3" FLAT SS

## Pocket Filler (201030 and 201030-GID)

These pocket fillers are used to fill all empty coupler pocket recessions after installation of the dock, anchorage components, and/or accessories. (Glow-in-the-Dark options are also available).

1. Insert pocket filler into coupler pocket.
2. Press or force pocket filler into the pocket until it is fully seated.



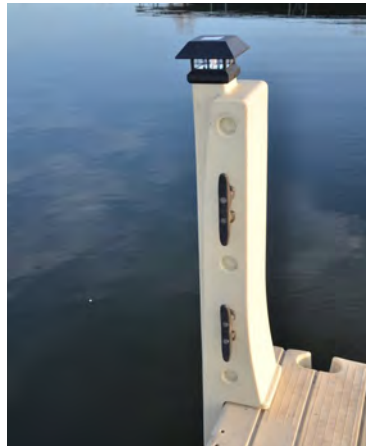
### IMPORTANT!!!!

**All empty coupler pockets must be filled with the pocket filler (201030) prior to use.**

ITEM	QTY.	PART NO.	DESCRIPTION
1	1	N/A	DOCK OR PORT SECTION
2	1	201030	KIT POCKET FILLER BEIGE

## Poly Post Kit (100900)

This extremely versatile post is made to use coupler pockets to provide custom fitting of handrails, grab posts, or as an accessory attachment post. Eight embedded T-nut locations for attaching cleats and other EZ Dock products. Recessed holes that can be drilled through for tube and rope handrails.



### Installation

#### Tools Required:

Ratchet  
15/16" Socket

1. Place hardware connector in the bottom pocket on the dock in the chosen location.
2. Slide the post into position using the molded connector and coupler pocket on the dock.
3. Bolt the handrail post to the bottom coupler pocket using the 5/8" bolt and washer.

ITEM	QTY.	PART NO.	DESCRIPTION
1	1	S10900	HANDRAIL POST
2	1	S21141SS	HARDWARE CONNECTOR
3	1	80584SS	5/8" X 3.5" BOLT
4	1	117013	WASHER

## Handrail options for Poly Post Kit (100900)

### Installation

#### Tools Required:

1-1/2", 1" Drill bit  
Drill  
Saw



#### Option A (H10900)

1. Using at least 2 Poly Post Kits (100900), drill 1-1/2" holes in the recessed holes.
2. Cut the 1.5" tube to length and slide through the drilled, recessed holes.
3. Attach the universal plug on both ends of the handrail.

ITEM	QTY.	PART NO.	DESCRIPTION
1	1	R14013	HANDRAIL TUBE 1.5", 113"
2	2	S90000	1-1/2" PLUG
3	2	80556SS	PHILLIPS TECH SCREW

#### Option B (9000035 or 9000036)

1. Using at least 2 Poly Post Kits (100900), drill 1" holes into the recessed holes.
2. Insert the rope into the recessed holes and secure

ITEM	QTY.	PART NO.	DESCRIPTION
1	N/A	9000035/3000036	ROPE, SOLD BY THE FOOT



9000035



9000036



**Handrails (Galvanized)-100910AL, 100911AL, 100912AL, 100915AL, 100916AL, 100917AL, 100918AL, 100919AL, 100920AL (Powder Coat Paint)-105910AL, 105911AL, 105912AL, 105915AL, 105916AL, 105917AL, 105918AL, 105919AL & 105920AL**

EZ Dock handrails conform with SOBA and ADA guidelines. Our railing sections are available in a variety of lengths and profiles, and are designed to provide security with minimal obstruction. You may choose from the standard hot-dipped galvanized finish, powder-coated color finish, or our new stainless steel option. Models include accessories for securing fishing rods, and are perfect for residential, resort or park installations. Our railing is also available in aluminum or stainless steel by special order.

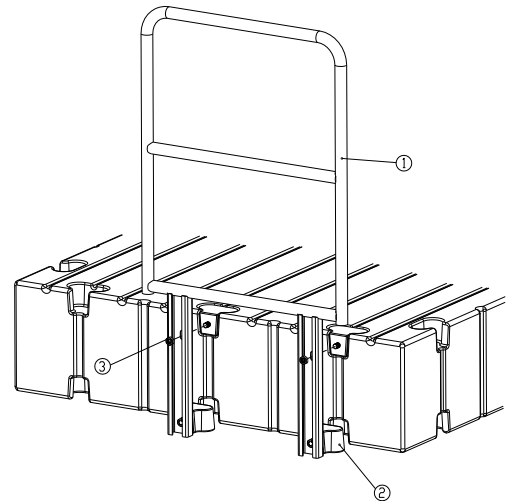


**Installation**

**Tools Required:**

- Ratchet
- 15/16" Socket
- Hammer

1. Loosely attach hardware connectors (with the tapered end up) to railing legs at the lowest location on the railing.
2. Place hardware connectors in the corresponding top pockets on the dock.
3. Tilting the railing outward and away from the dock at the top, bring the bottom connectors up and into the bottom pockets.
4. When the bottom connectors are fully up and in the bottom pockets, bring the top of railing back towards the dock so the upper holes in the railing legs fit over the bolts in the hardware connector on the top edge of the dock.
5. Secure the railing by fully tightening the nuts on all hardware connectors, using care to not over-tighten the nuts.



ITEM	QTY.	PART NO.	DESCRIPTION
1	1	N/A	BARRIER HANDRAILING
2	N/A	80580SS	NUT 5/8" SELF LOCKING
3	N/A	S21140SS	HARDWARE CONNECTOR 5/8" MALE

## Kit, Floating Dock to EZ Dock Adapter (100750SS, 115750SS)

This adapter provides an easy solution to attaching your EZ Dock product to any floating structure. Made of stainless steel to prevent rusting, and uses a standard hardware connector. Comes in pairs.

### Installation

#### Tools Required:

15/16 socket  
9/16 socket and wrench  
Ratchet  
#4 Phillips Screwdriver

1. Insert top and bottom hardware connectors.
2. Insert adapter J-hook and secure with 5/8" nuts.
3. Mount the adapter plate to the existing floating structure.
4. Align the slots on each piece, insert the hinge pin and secure with the pin clip.



## Kit, Low Profile to Standard Dock Adapter (115757 SS)

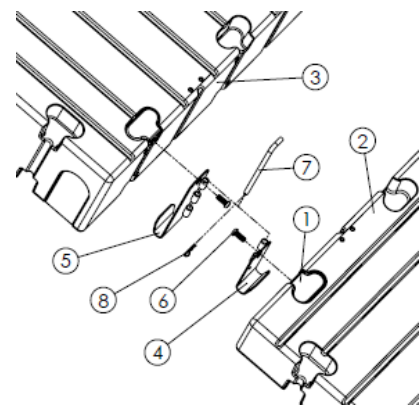
This adapter allows you to attach a low profile dock to a standard EZ Dock. Detaches with a hinge pin and clip for easy removal. Comes in pairs.

### Installation

#### Tools Required:

3/8" Allen head socket  
Ratchet wrench

1. Insert top hardware connectors onto dock sections.
2. Insert J-hooks from the bottom and attach to the hardware connectors using the 5/8" Bolt.
3. Align the slots on each J-hook and insert the hinge pin making sure it goes through slot.
4. Push the clip through the hinge pin hole at the bottom.



ITEM	QTY.	PART NO.	DESCRIPTION
1	2	S21141SS	CONNECTOR HARDWARE W/ SS
2	1	N/A	LOW PRO DOCK SECTION
3	1	N/A	STANDARD DOCK SECTION
4	1	S15752SS	BRACKET, LOW PRO TO DOCK
5	1	S15757SS	BRACKET, DOCK TO LOW PRO
6	2	80538SS	BOLT 5/8-11 BUTTON CAP, SS
7	1	S80969SS	HINGE PIN, SS 12"
8	1	80011	CLIP HITCH PIN #11

## ***EZ Dock Limited Warranties***

**Floatation (8 Years)** - Modular dock units and EZ Port lifts are warranted against cracks, breakage, leaks and ultraviolet deterioration caused by defects in material and manufacturing workmanship for a period of eight (8) years from the date of purchase.

**Hardware and Accessories (1 Year)** - Hardware and accessories are warranted against defects in material and manufacturing workmanship for a period of one (1) year from the date of purchase.

These Limited Warranties specifically do not cover damages to EZ Dock products caused by:

- Improper installation
- Inconsistent use with EZ Dock's instructions and product specifications
- Vandalism
- Severe weather and natural disaster
- Impact by watercraft, ice, falling tress, floating debris and other foreign objects
- Animals or aquatic life
- Unauthorized product modification, attachment or repair

If an EZ Dock product fails under normal use and within the applicable warranty period, Buyer must submit a written claim to EZ Dock at 878 East Highway 60, Monett, MO 65708 USA. Claims must identify the failed product(s), describe the claimed defect(s), and include copies of dated proofs of purchase/receipts from an authorized EZ Dock reseller.

Upon receiving sufficient proof of covered product failure, EZ Dock will, in its sole discretion, either repair or replace failed products within a reasonable time after notice, and ship, at Buyer's expense, repaired and/or replacement products to the site. "Repair" may be limited to providing a repair kit to Buyer. Costs related to the removal of failed products, and the installation of repaired and/or replaced products shall be at Buyer's expense.

Warranty periods begin on the date of purchase from an authorized EZ Dock reseller. Repaired and replacement products are warranted only for the balance of the original limited warranty period. These limited warranties extend only to the original Buyer of products from an authorized EZ Dock reseller ("Original Purchaser"). Warranties are not transferable to anyone who subsequently purchases products from the Original Purchaser, or to any subsequent purchaser.

In order to ensure proper warranty coverage, Buyer should activate these Limited Warranties by properly registering the purchase of EZ Dock products within thirty (30) days of the date of purchase via the Registration Card provided in EZ Dock's Owner's Manual, or by registering online by going to [www.ez-dock.com](http://www.ez-dock.com), and then clicking "Product Registration" at the bottom of the page.

Buyer, by acceptance and use of these limited warranties, waives any rights it would otherwise have to claim or assert that these limited warranties fail of their essential purposes. Buyer agrees that venue for any court action to enforce these limited warranties shall be in Barry or Greene Counties in the State of Missouri.

**THE FOREGOING LIMITED WARRANTY IS THE SOLE AND EXCLUSIVE WARRANTY FOR SELLER'S PRODUCTS, AND IS IN LIEU OF ALL OTHER WARRANTIES, EXPRESS OR IMPLIED, IN LAW OR IN FACT. SELLER SPECIFICALLY DISCLAIMS ALL OTHER WARRANTIES, EXPRESS OR IMPLIED, INCLUDING, WITHOUT LIMITATION, ALL IMPLIED WARRANTIES OF MERCHANTABILITY AND FITNESS FOR A PARTICULAR USE OR PURPOSE, AND ANY IMPLIED WARRANTIES ARISING OUT OF COURSE OF DEALING OR PERFORMANCE OR TRADE USAGE. SELLER SHALL NOT BE LIABLE FOR ANY INCIDENTAL, CONSEQUENTIAL, EXEMPLARY, SPECIAL, OR PUNITIVE DAMAGES, OR ANY LOSS OF REVENUE, PROFIT OR USE, ARISING OUT OF A BREACH OF THIS WARRANTY OR IN CONNECTION WITH THE SALE, INSTALLATION, MAINTENANCE, USE, OPERATION OR REPAIR OF ANY PRODUCT. IN NO EVENT WILL SELLER BE LIABLE FOR ANY AMOUNT GREATER THAN THE PURCHASE PRICE OF A DEFECTIVE PRODUCT.**



## Customer Service Assistance:

When calling for service assistance, please know the purchase date, model and/or serial code of your components. You will also need your serial number for product registration. This information will help us to better respond to your request. If you need replacement parts, contact your dealer to obtain only genuine parts. These parts will fit right and work correctly because they are made with the same precision used to build your EZ Dock. To locate replacement parts in your area, call 1-800-654-8168 (US and Canada), 1-417-235-2223 (Africa, Asia or Central- or South America), or +46 (0) 380 47 300 in Europe. French speaking residents in Quebec should call 1-800-654-8168. These numbers will put you in contact with your nearest distributor/dealer. You may also locate your nearest distributor or dealer by logging onto our website at [www.ez-dock.com](http://www.ez-dock.com).

## EZ Dock distributors and dealers can provide assistance with:

- features and specifications of EZ Dock's full line of dock products
- installation information
- use and maintenance procedures
- accessory and repair part sales
- referrals to local dealers

## Maintaining your EZ Dock System

### Care and Maintenance

**Cleaning:** Your new EZ Dock Product can be easily cleaned using a brush/broom, mild environmentally cleaning agent, and water. A power washer can be used when convenient. Algae growth at the waterline on the product is normal and will not harm the dock or port section.

**Ice:** EZ Dock floats high enough so that normal ice pressure will not harm the product. However, if the shoreline area has ice pressure, wind blown ice or other ice flows, the dock needs to be removed or disconnected from the moorings. In these circumstances, pipes or piles should be removed to prevent bending due to ice pressure.

**Removal:** If EZ Dock is removed at any time for storage, it should not be dragged over rough gravel or other sharp objects. The EZ Dock product may be stored outside without any special care when stored on edge or with the walking surface facing up.

### Other maintenance

Ensure all couplers, connections, gangways, handrails and attachments are securely connected.

Inspect all anchorage components for wear and tear.





EZ Dock product is produced in our Monett, MO facility which is certified by Intertek for ISO 9001:2015 quality management system and ISO 14001: 2015 environmental management system.

EZ Dock may introduce new colors, products, accessories, and options throughout the year. Specifications and products listed are subject to change without notice. Some products may be shown with additional or optional equipment not available through EZ Dock. Specifications may vary for international shipments. Please check with your local dealer for more information. EZ Dock is a product of the U.S.A.

EZ Dock, Inc | 878 HWY 60, Monett, MO 65708

417-235-2223 | 800-654-8168

© 2023 EZ Dock, Inc. All rights reserved.

*More information*



US/Canada  
Europe  
International

1-800-654-8168  
+46 (0) 380 47 300  
+1 888-654-8168



Proudly American made for 30 years.